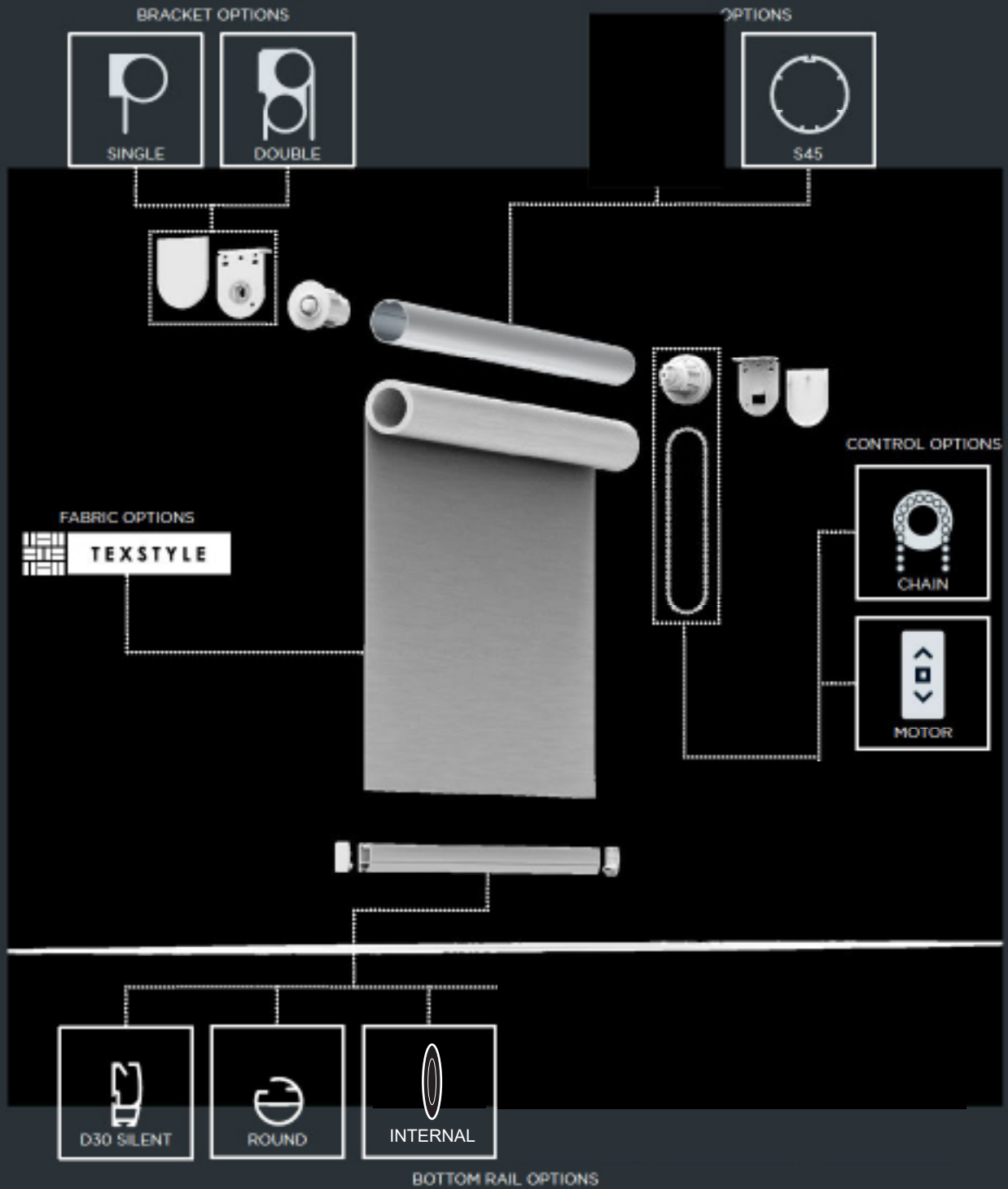


SHADES BY MATISS



MEDIUM SYSTEM UPGRADES:



WIRE GUIDE



EASY-LINK

TABLE OF CONTENTS

CONTROL OPTIONS

CHAIN WINDER

- RB09
- RB08
- EASY-LIFT CHAIN BOOSTER



MOTORS

- SUMMARY
- CONTROLLERS
- BATTERY
- DC
- AC



HARDWARE OPTIONS

ALUMINIUM TUBES

22



BRACKETS | SINGLE

23



BRACKETS | DOUBLE

24



BOTTOM RAIL OPTIONS

25



ONLINE MEDIUM ROLLER BLIND SYSTEM SUMMARY

SYSTEM UPGRADES

INTERNAL WIRE GUIDE



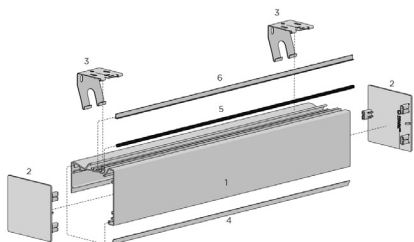
EASY-LINK



FEATURES & BENEFITS

- Functional and secure guide to locate roller shade fabric.
 - Secures the Bottom Rail from knocks with a wire through each Bottom Rail end cap.
-
- Link multiple shades together achieving a minimal light gap.
 - Control multiple shades with one control unit OR use a dual control set-up.
 - Dual control has a control on each side with the idlers joined at the bracket.

SQUARE CASSETTE 110



RB09 CHAIN WINDER



FEATURES & BENEFITS

- Patent protected snap-lock chain assembly to reduce fabrication time by up to 75%.
- Patent protected Easy-Lock Idler with industry leading simplified 2 step installation.
- 10mm idler extension, adjusting in 1mm increments to correct mis-measured shades on site.
- Easy Lift Spring Booster achieves a lighter lifting solution, can also be retrofit on site.
- Our Slimline design is optimised to achieve minimal light infiltration.
- The discreet release wheel on the Easy-Lock idler allows for a simplified shade removal.
- A high polish finish for premium aesthetics.
- Premium component design to ensure a smooth, quiet and easy shade lift solution.
- Heavy Duty bracket adaptor available for commercial use.

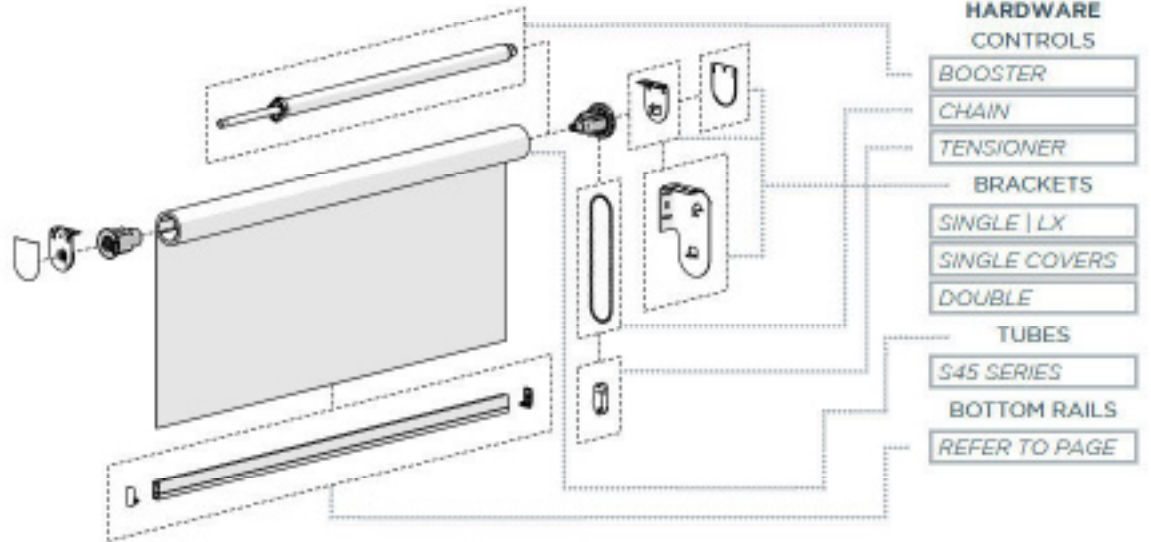


COLOUR RANGE

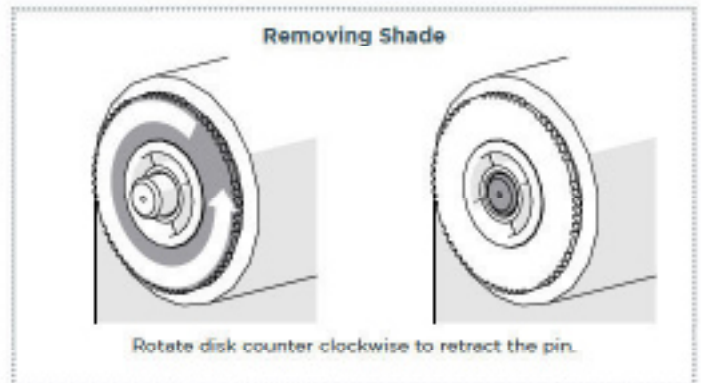
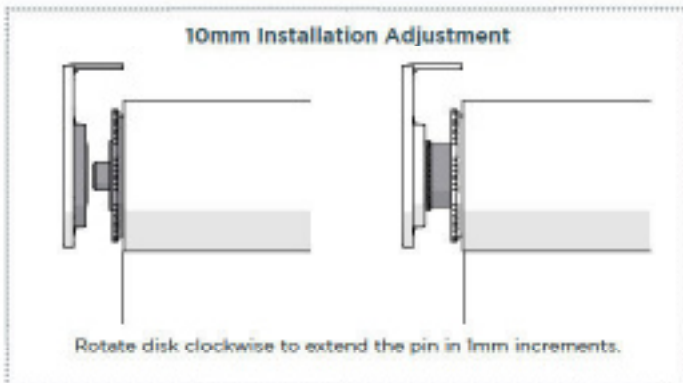
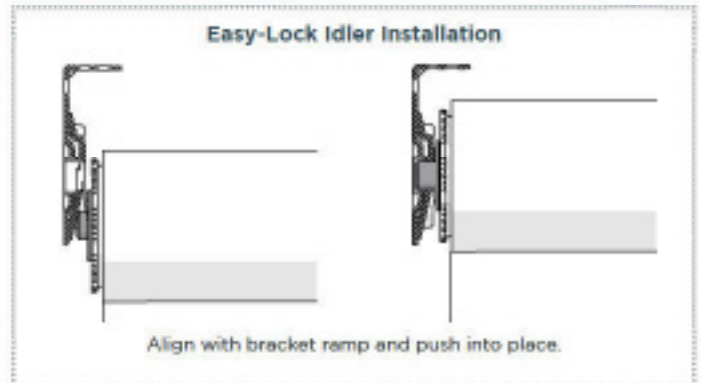
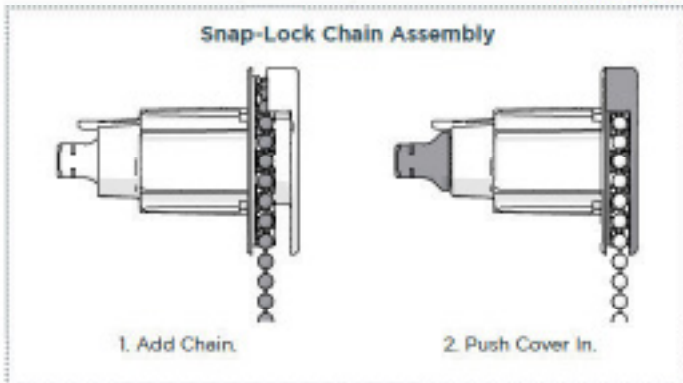
- black
- pure white
- silver grey

WEBPAGE LINK

HARDWARE
10 WARRANTY



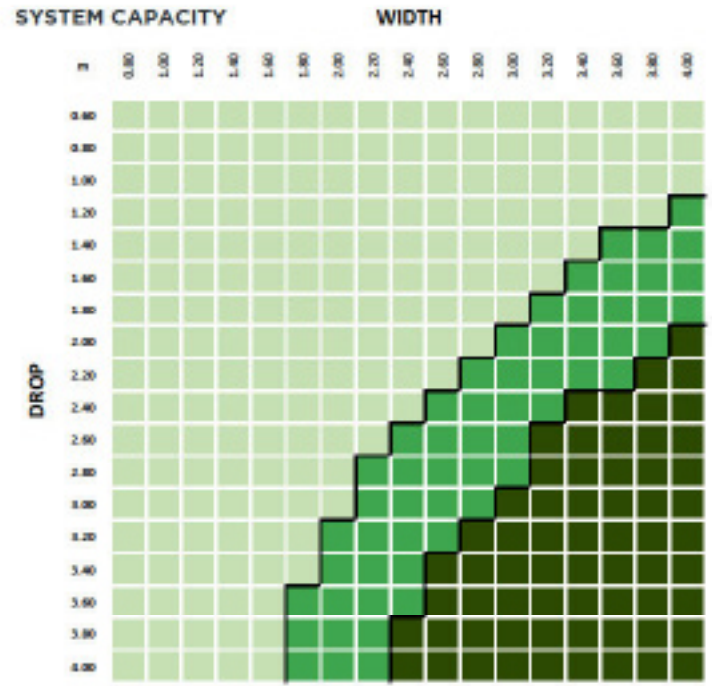
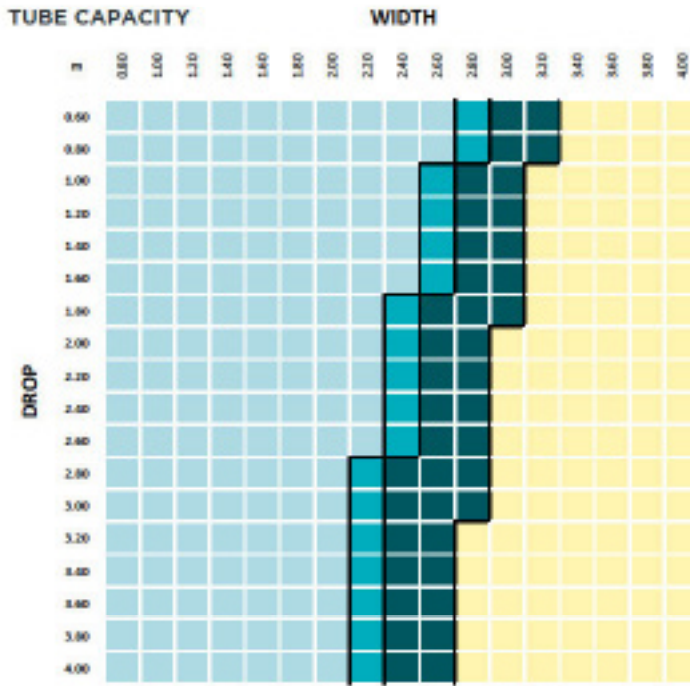
KEY SYSTEM FEATURES



SYSTEM UPGRADES



RB09 SPECIFICATIONS



TUBES	RB09	PARAMETERS:
S45 LIGHT		FABRIC DENSITY: 390gsm
S45 STANDARD		FABRIC THICKNESS: 0.6mm
S45 HEAVY DUTY		WEIGHT BAR: D30 Bottom Rail
S45 LINKED		TUBE DEFLECTION: 1.05mm/m

BOOSTER	TYPE	PARAMETERS:
OPTIONAL		FABRIC DENSITY: 390gsm
RECOMMENDED		FABRIC THICKNESS: 0.6mm
REQUIRED		WEIGHT BAR: D30 Bottom Rail
		TUBE DEFLECTION: 1.05mm/m

HOLDING CAPACITY	TUBE		
	S45 LT	S45 STD	S45 HD
RB09	4.7kg	4.6kg	4.2kg
STD BOOSTER	9.1kg	8.9kg	8.0kg
HD BOOSTER	13.3kg	13.1kg	11.8kg

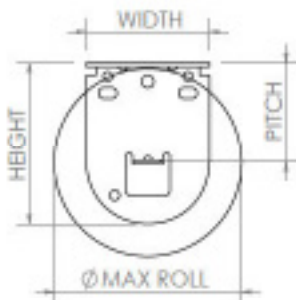
Operating shades at maximum holding capacity will not produce comfortable pull forces.



WWW.TEXSTYLE.COM.AU/COLLECTIONS/BALMORAL

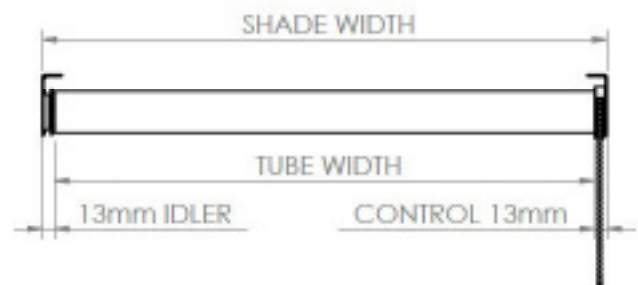
TECHNICAL DATA

SINGLE BRACKETS	SPECIFICATIONS			MAX ROLL
	PITCH	W DTH	HEIGHT	
LX	40mm	50mm	65mm	75mm
	55mm	50mm	80mm	105mm



CONTROL OPTIONS	MINIMUM SHADE WIDTH (no covers)	TUBE DEDUCTIONS	
		NO BRACKET COVERS	WITH BRACKET COVERS
RB09	150mm	26mm	29mm
+ STD BOOSTER	817mm		
+ HD BOOSTER	937mm		

Minimum Shade Width based on 5mm gap between hardware in tube.



DOUBLE BRACKETS	MAX ROLL	SLIM PROFILE TOP-FRONT Fabric Roll Options Requires RB07 at top.	SLIM PROFILE TOP-BACK Fabric Roll Options Requires RB07 at top.	SQUARE-X Fabric Roll Options	SLIMLINE-X Fabric Roll Options
SLIM PROFILE/SQUARE-X	70mm				
SLIMLINE-X	65mm				

EASY-LIFT CHAIN BOOSTER



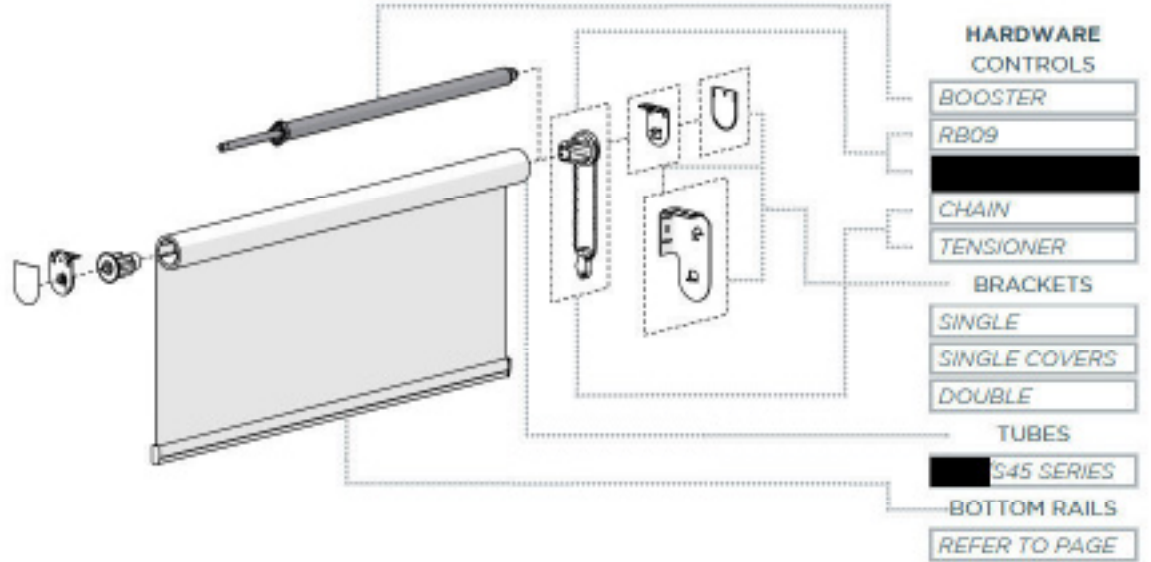
FEATURES & BENEFITS

- The industry leading RB09 snap-lock booster attachment enables quick fabrication.
- Chain Boosters compatible with RB07/RB08/RB09 chain winders.
- Decreases user effort by up to 60%.
- Control larger linked shades with minimal effort.
- Retro-fit an Easy Lift Chain Booster on-site to achieve a lighter lifting solution.
- Standard and Heavy Duty Springs available.



CHAIN WINDERS
RB09

HARDWARE
10 YEAR WARRANTY

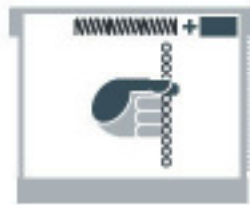


KEY SYSTEM FEATURES

SHADE FEELS UP TO 60% LIGHTER TO LIFT*



Chain winder.



Chain winder with Booster.

*Based on Rollease Acmeda's recommended user effort.

LARGER SHADES POSSIBLE

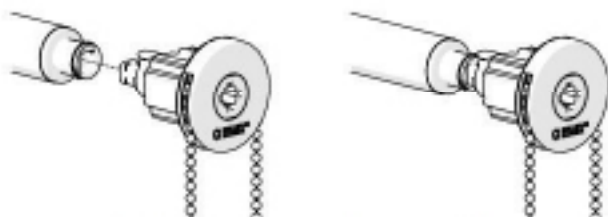


Chain winder ONLY.



Chain winder with Booster.

RB09 SNAP-LOCK BOOSTER ASSEMBLY



Push components together to assemble.

SYSTEM UPGRADES



WIRE GUIDE



EASY-LINK

CHAINS & CHILD SAFETY



FEATURES & BENEFITS

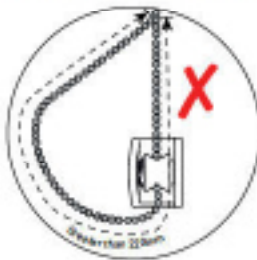
It's easy to overlook potential hazards for children, especially when their natural curiosity can lead them to explore every crevice and corner of a home. At Rollease Acmeda, child safety is important to us, so we offer a variety of solutions to ensure every home and family is safe from hazards, loose hanging cords or chains.

The current requirements set by the ACCC dictates that the cord of an internal window covering must never form a loop of 220mm or more, never dangle less than 1.6m above floor level and must always be secured by a tensioner or holster.

Our range of products offer an innovative suite of child safe solutions that easily comply with these regulations without compromising functionality or design of window furnishings.

SAFETY STANDARDS

CHAIN LOOP LENGTH

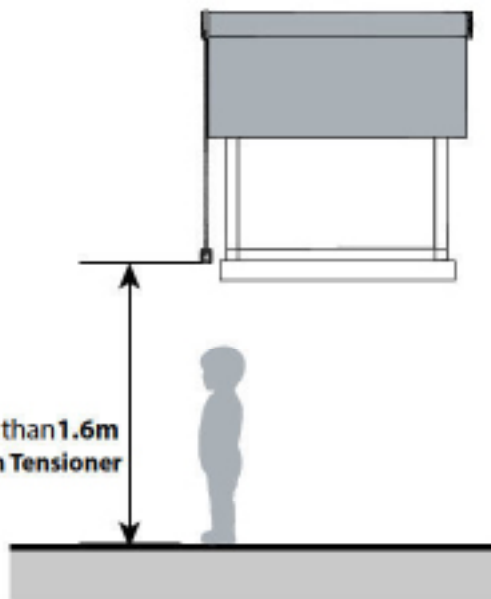


Chain loop must not exceed 220mm.



INSTALLATION HEIGHT

CHAIN TENSIONER MUST BE USED IF THE CHAIN IS LESS THAN 1.6m ABOVE THE FLOOR



WEBPAGE LINK



		FIXING			COLOURS			
		Face Fix	Recess Fix	Floor Fix	000/001 - clear	050 - black	069 - white	338 - silver grey
		✓	✓	✓	✓	✓	✓	
		✓	✓	✓				
CHAINHOLD		✓	✓				✓	
		✓		✓	✓	✓	✓	✓
			✓		✓	✓	✓	

MOTORS | SUMMARY



KEY FEATURES SUMMARY

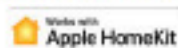


	Li-ion	DC	AC
SIMPLIFIED RETRO-FIT Motor can replace a chain winder without modifying the hardware, maintaining a minimal hardware gap.	✓	✓	
PATENTED MOTOR HEAD DESIGN Offers the smallest light gap and antenna cable can be concealed within the motor head.	✓	✓	
INNOVATIVE MOTOR CAP Optional, custom designed accessory for no visible wires.	✓	✓	
ELEGANT SOFT STOP Slows the motor down prior to reaching shade limits, coming to a gradual stop.	✓	✓	
MICRO USB CHARGING Custom motor charger not required. Utilise any micro USB cable and charger to renew battery.	✓		
CONTINUOUS POWER A continuously powered solution that has three optional 12V power sources.		✓	
CONTINUOUS POWER A continuously powered solution connected to the mains 240V electrical grid.			✓
BATTERY CHECK When paired with Push series remotes, motor will move shade to indicate battery percentage remaining.	✓		
NARROW SHADE WIDTHS Shades can be made at a minimum width of 432mm and powered using external battery pack for door shading applications.		✓	
RELIABLE OPERATION Hardwired installation prevents interference from other devices.			✓

SPECIFICATIONS

		Li-ion		DC	AC	
		5V ZERO	12V	12V ZERO	240V E6	240V M6
TORQUE	11Nm	✓		✓		
	2.0Nm	✓		✓		
	3.0Nm		✓			
	6.0Nm				✓	✓
POWER	Lithium-ion Battery	✓	✓			
	DC 12V Low Voltage			✓		
	AC 240V Mains				✓	✓
FEATURES	Zero Motor Head	✓		✓		
	Motor Cap	✓		✓		
	Ultra Quiet	✓		✓		
	Elegant Soft Stop	✓		✓		
	Battery Check Action	✓		✓		
	Micro USB Charging	✓				
	Secure Hold	✓	✓	✓		
	Simplified Retro-Fit	✓		✓		
	Bidirectional Communication	✓	✓	✓	✓	
	Adjustable Speed	✓	✓	✓		
	Simplified Setup	✓	✓	✓	✓	
	Favourite Positioning	✓	✓	✓	✓	
	Precise Limit Adjustment	✓	✓	✓	✓	
	Electronic Limit Setting	✓	✓	✓	✓	
	Mechanical Limit Setting					✓
	ACCESSORIES	Push Remotes	✓	✓	✓	✓
Pulse 2 Hub & App		✓	✓	✓	✓	
Wall Switch		✓	✓	✓	✓	
Solar Panel V2		✓				
Internal Sun Sensor		✓	✓	✓	✓	
ARC Repeater		✓	✓	✓	✓	
ARC Relay Module		✓	✓	✓	✓	
DC Power Distribution Panel				✓		
Rechargeable Battery Pack				✓		
Extension Cables		✓	✓	✓		
Wall Charger	✓	✓				

AUTOMATE MOTORS ARE COMPATIBLE WITH THE FOLLOWING:



HOME AUTOMATION FEATURES

PULSE 2 APP

VOICE CONTROL



Effortless control of motorised shades when at home or away. Personalise the daily routine via groups, rooms and timers.

DYNAMIC SUNRISE/SUNSET FUNCTION



Set shades to follow the sun.

PULSE2 LING



Connect to smart home systems.

HOME AUTOMATION | PULSE 2.0

- Group Automate shades by room and conveniently control them accordingly.
- Personalise shade control and organise how your shades operate by specific daily events or scenes automatically at the optimal time.
- Roller shades, Drapery, Outdoor Shades, Awnings... control every shade type from one screen.
- Installers have access to information that assists them identify potential issues.
- The signal indicator highlights when there is no connection between the motor and the hub, to assist with troubleshooting.
- The APP is available in English, Italian, Dutch, French or German.



REMOTE CONTROLS

PUSH SERIES



5 Channel & 15 Channel Remotes

WALL CONTROLS



1, 2 & 15 Channel Remotes

ACCESSORIES | COMMERCIAL

DC POWER DISTRIBUTION PANEL



- Power your Automate DCRF motors from a compact, central location that can service up to 18 motors.
- Easily check each individual motors power status by viewing the prominent green LED's on the DC Power Panel.
- The panel can be used with many different wire types (from 26 to 14 AWG). Any pre-wired installation may readily use DCRF motors and the Power Distribution Panel.

ACCESSORIES | GENERAL

ARC REPEATER



Extend range of ARC Protocols.

INTERNAL SUN SENSOR



Control shade with 4 preset light thresholds.

ARC RELAY TRANSMITTER



- Provide interface between third party smart home motor systems and ARC motors.
- Three contact inputs - Up, Down & Stop.
- Group Motor Control.
- Wireless control of ARC motors.
- Roller mode and Step mode for venetian motors.
- 12V or 24V power source compatible.

MOTORS | BATTERY



FEATURES & BENEFITS

- Patent ZERO motor head conceals all wires by wrapping them around the head.
- Retro-fit solution, turn manual blinds into motorised shades with ease, simply remove winder, insert motor & operate.
- Soft Stop technology which slows the blind prior to stopping.
- Micro USB 5 volt charging.
- Colour matching motor head cap conceals hardware.
- Long lasting battery - up to 500 cycles per charge.



COLOUR RANGE

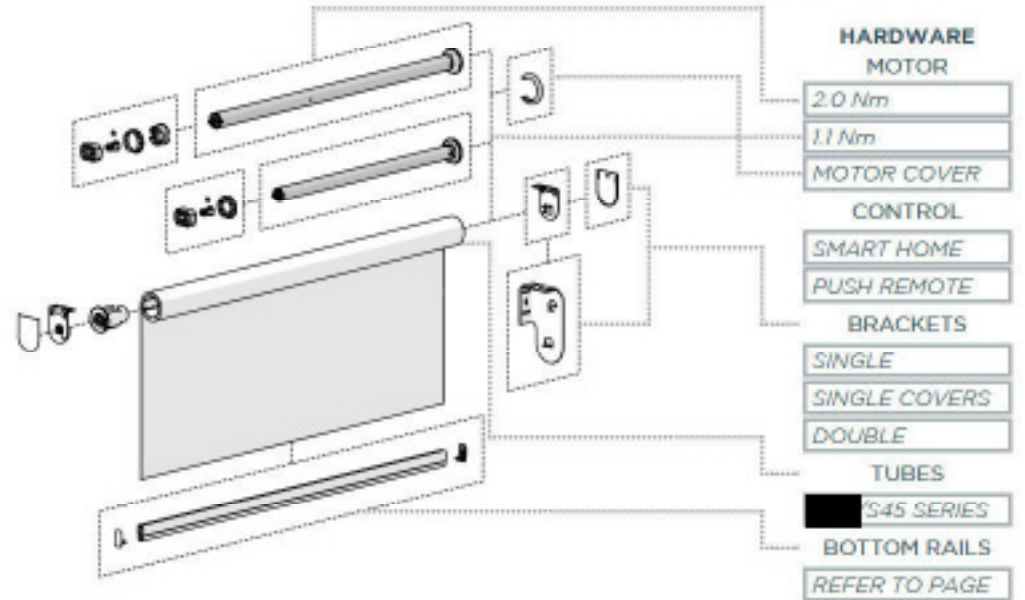
black

pure white

WEBPAGE LINK

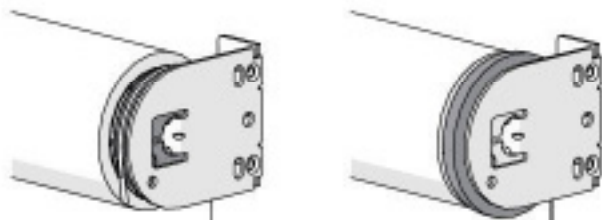
MOTOR HARDWARE

5 YEAR WARRANTY



KEY SYSTEM FEATURES

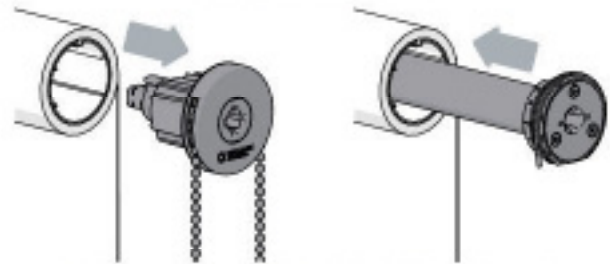
ZERO VISIBLE WIRES



The motor head has a slot which retains the antenna.

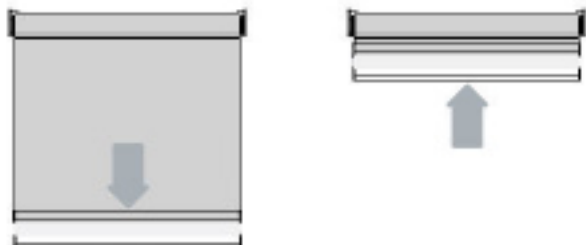
Hide the motor head with a colour matched Motor Cap.

RETRO-FIT SOLUTION



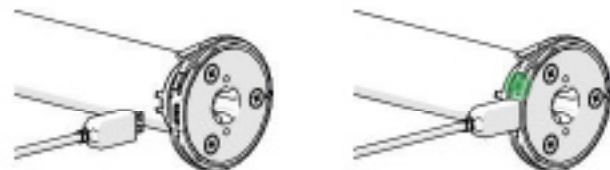
Replace a chain control with a ZERO Li-ion motor without having to change any existing hardware.

SOFT STOP



Shade gradually reduces speed when coming to a stop for ultra-smooth movement.

MICRO USB CHARGING



LED behind button will glow to indicate successful charging.

SYSTEM UPGRADES



WIRE GUIDE

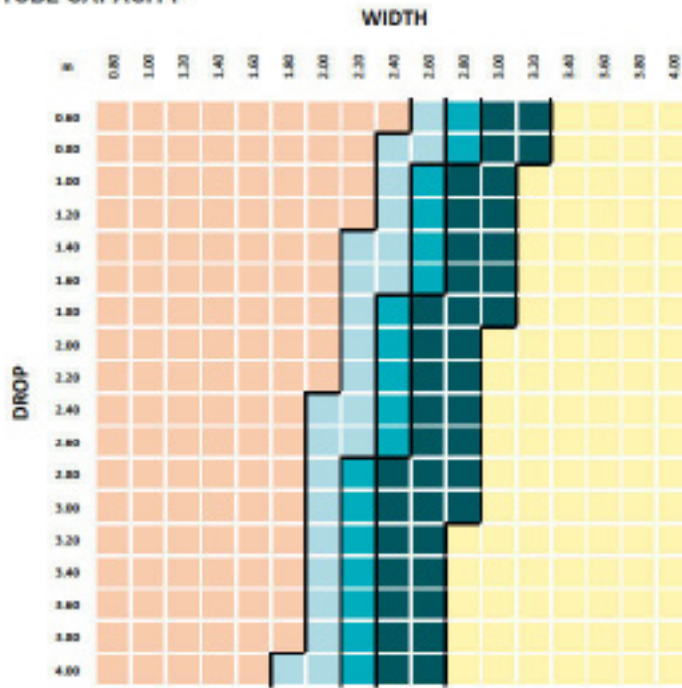


EASY-LINK

MOTOR | BAT. SPECIFICATIONS



TUBE CAPACITY

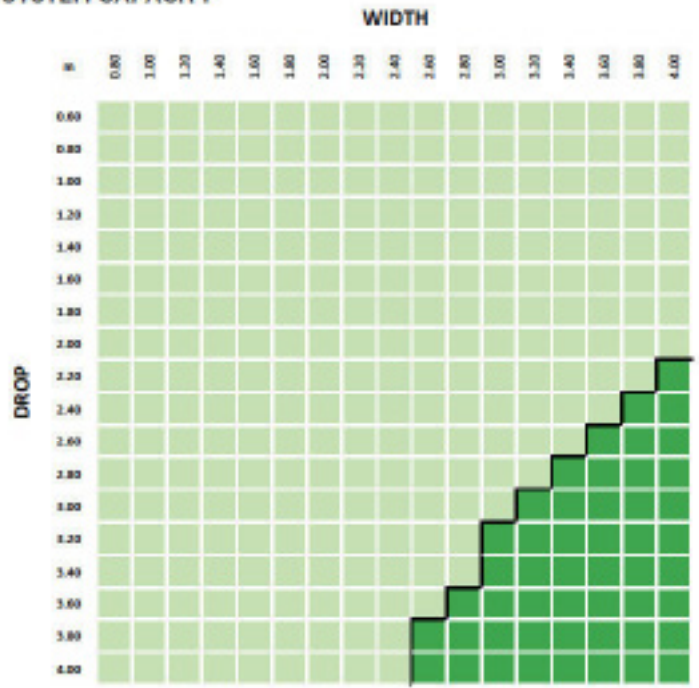


TUBES

S45 LIGHT	
S45 STANDARD	
S45 HEAVY DUTY	
LINKED	

PARAMETERS:
 FABRIC DENSITY: 390gsm
 FABRIC THICKNESS: 0.6mm
 WEIGHT BAR: D30 Bottom Rail
 TUBE DEFLECTION: 1.05mm/m
 NOTE: S40 IS ONLY COMPATIBLE WITH 1.1Nm MOTORS

SYSTEM CAPACITY



MOTOR

1.1Nm	
2.0Nm	

PARAMETERS:
 FABRIC DENSITY: 390gsm
 FABRIC THICKNESS: 0.6mm
 WEIGHT BAR: D30 Bottom Rail
 TUBE DEFLECTION: 1.05mm/m

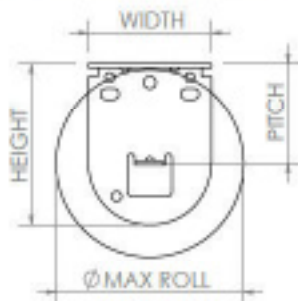
LIFTING CAPACITY	TUBE		
	S45 LT	S45 STD	S45 HD
1.1Nm	5.2kg	5.1kg	4.6kg
2.0Nm	9.4kg	9.2kg	8.3kg



WWW.TEXSTYLE.COM.AU/COLLECTIONS/BALMORAL

TECHNICAL DATA

SINGLE BRACKETS	SPECIFICATIONS			MAX ROLL
	PITCH	WIDTH	HEIGHT	
VX/LX	40mm	50mm	65mm	75mm
LX	55mm	50mm	80mm	105mm

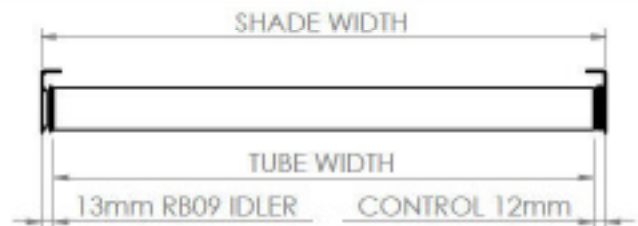


CONTROL OPTIONS	MINIMUM SHADE WIDTH (no covers)	TUBE DEDUCTIONS	
		NO BRACKET COVERS	WITH BRACKET COVERS
ZERO 1.1Nm Short	569mm	25mm	*27mm
ZERO 1.1Nm	642mm		
ZERO 2.0Nm	739mm		

*Add +1mm to deductions for Motor Cover Installations.

TUBE WIDTH = SHADE WIDTH - [CONTROL + IDLER]

Minimum Shade Width based on 5mm gap between hardware in tube.



DOUBLE BRACKETS	MAX ROLL	SLIM PROFILE TOP-FRONT Fabric Roll Options	SLIM PROFILE TOP-BACK Fabric Roll Options	SQUARE-X Fabric Roll Options	SLIMLINE-X Fabric Roll Options
SLIM PROFILE/SQUARE-X	70mm				
SLIMLINE-X	65mm				



FEATURES & BENEFITS

- Low voltage continuous powered.
- Multiple power options: Power Supply, DC Power Panel, Battery Pack.
- Patent ZERO motor head conceals all wires by wrapping them around the head.
- Retro-fit solution, turn manual blinds into motorised shades with ease, simply remove winder, insert motor & operate.
- Soft Stop technology which slows the blind prior to stopping.
- Colour matching motor head cap conceals hardware.
- Smallest motorised blind width.

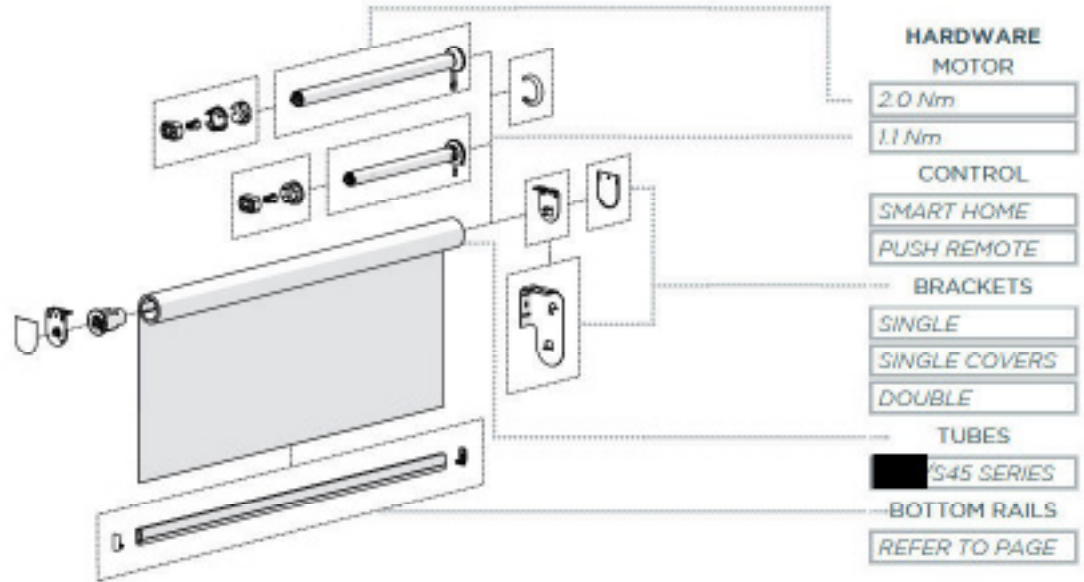


COLOUR RANGE

pure white

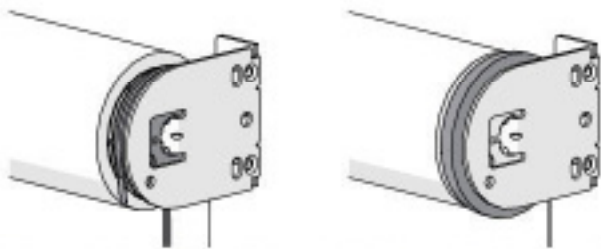
WEBPAGE LINK

MOTOR HARDWARE



KEY SYSTEM FEATURES

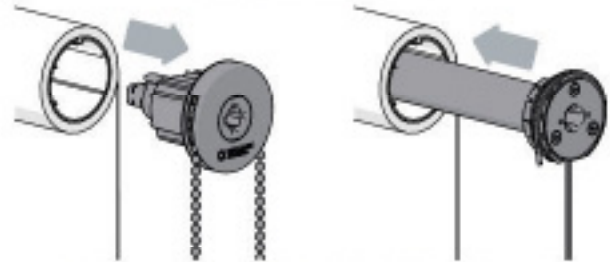
ZERO VISIBLE WIRES



The motor head has a slot which retains the antenna.

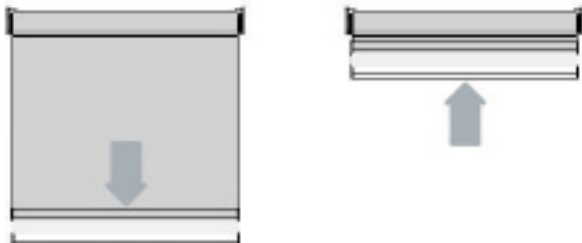
Hide the motor head with a colour matched Motor Cap.

RETRO-FIT SOLUTION



Replace a chain control with a ZERO Li-ion motor without having to change any existing hardware.

SOFT STOP



Shade gradually reduces speed when coming to a stop for ultra-smooth movement.

CHARGING OPTIONS



Power Supply

DC Power Panel

Battery Pack

SYSTEM UPGRADES



WIRE GUIDE

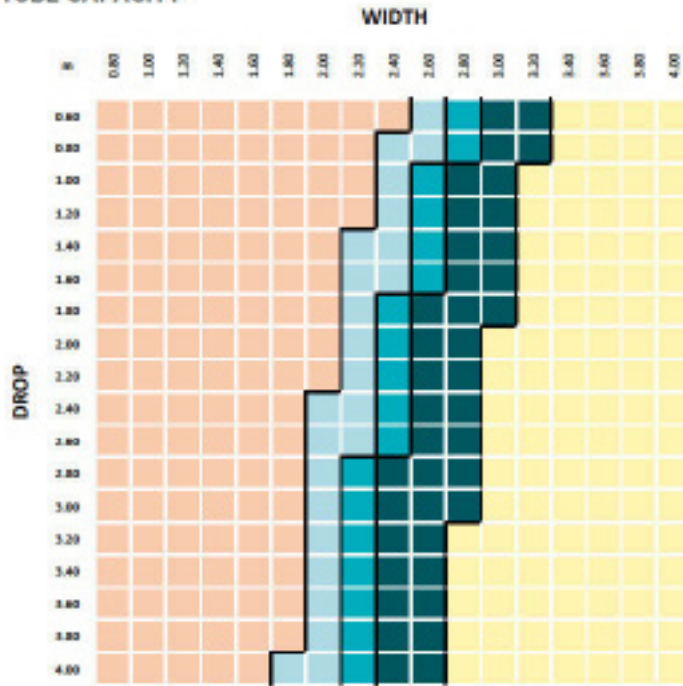


EASY-LINK

MOTOR | DC SPECIFICATIONS



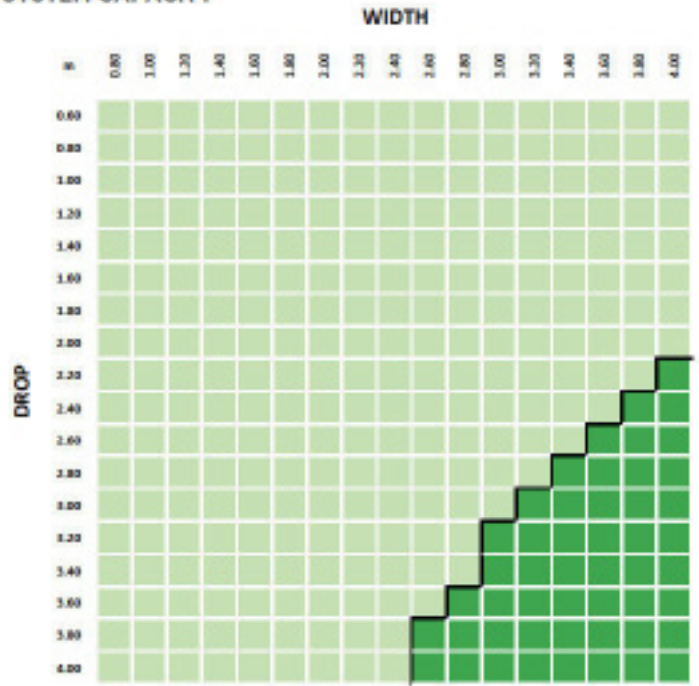
TUBE CAPACITY



TUBES	
S45 LIGHT	
S45 STANDARD	
S45 HEAVY DUTY	
LINKED	

PARAMETERS:
 FABRIC DENSITY: 390gsm
 FABRIC THICKNESS: 0.6mm
 WEIGHT BAR: D30 Bottom Rail
 TUBE DEFLECTION: 1.05mm/m
 NOTE: S40 IS ONLY COMPATIBLE WITH 1.1Nm MOTORS

SYSTEM CAPACITY



MOTOR	
1.1Nm	
2.0Nm	

PARAMETERS:
 FABRIC DENSITY: 390gsm
 FABRIC THICKNESS: 0.6mm
 WEIGHT BAR: D30 Bottom Rail
 TUBE DEFLECTION: 1.05mm/m

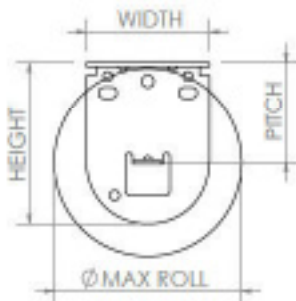
LIFTING CAPACITY	TUBE		
	S45 LT	S45 STD	S45 HD
1.1 Nm	5.2kg	5.1kg	4.6kg
2.0 Nm	9.4kg	9.2kg	8.3kg



WWW.TEXSTYLE.COM.AU/COLLECTIONS/BALMORAL

TECHNICAL DATA

SINGLE BRACKETS	SPECIFICATIONS			MAX ROLL
	PITCH	WIDTH	HEIGHT	
VX/LX	40mm	50mm	65mm	75mm
LX	55mm	50mm	80mm	105mm

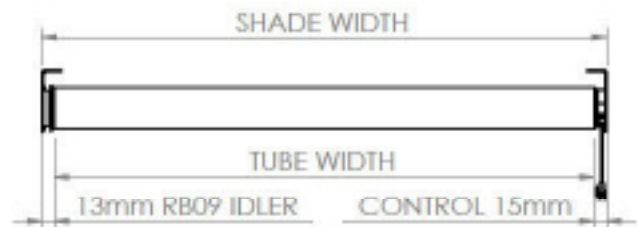


CONTROL OPTIONS	MINIMUM SHADE WIDTH (no covers)	TUBE DEDUCTIONS	
		NO BRACKET COVERS	WITH BRACKET COVERS
DC 1.1Nm	432mm	25mm	*27mm
DC 2.0Nm	576mm		

*Add +1mm to deductions for Motor Cover Installations.

TUBE WIDTH = SHADE WIDTH - [CONTROL + IDLER]

Minimum Shade Width based on 5mm gap between hardware in tube.



DOUBLE BRACKETS	MAX ROLL	SLIM PROFILE TOP-FRONT Fabric Roll Options	SLIM PROFILE TOP-BACK Fabric Roll Options	SQUARE-X Fabric Roll Options	SLIMLINE-X Fabric Roll Options
SLIM PROFILE/SQUARE-X	70mm				
SLIMLINE-X	65mm				

MOTORS | AC



FEATURES & BENEFITS

- Compatible with building automations system controllers.
- Control large shades with 6Nm of torque and 33rpm.
- Constant power.
- Manually set and adjust the limits of M6 motors.
- HD Adapter for double bracket installations.



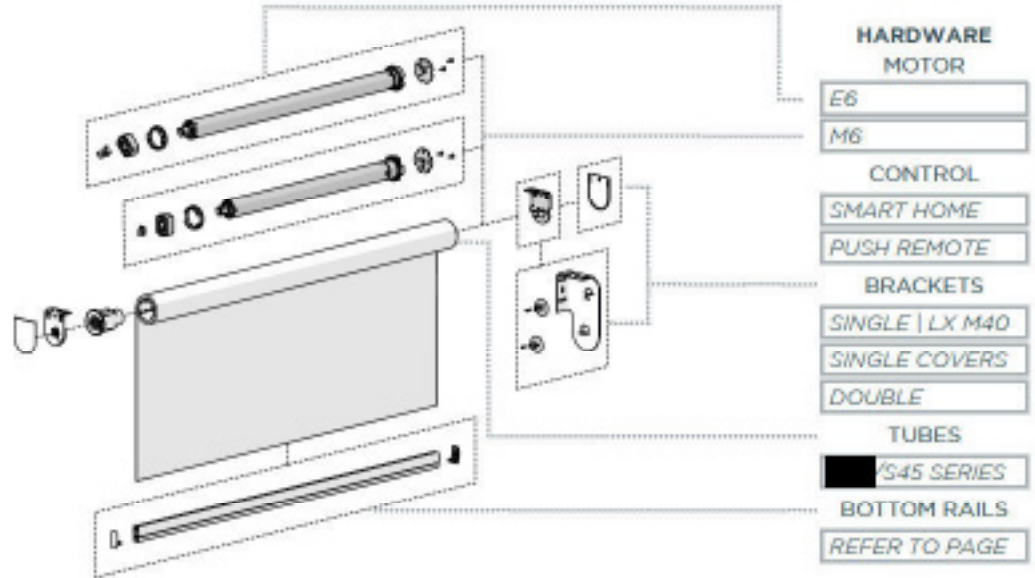
COLOUR RANGE

pure white

WEBPAGE LINK

MOTOR HARDWARE

7 YEAR WARRANTY



KEY SYSTEM FEATURES

BUILDING AUTOMATION SYSTEM CONTROLLERS



M6 AC Motor integration with smart building controllers.

ACHIEVE LARGER WINDOWS OR HEAVIER SHADES



6Nm TORQUE, 33rpm SPEED

MANUAL AUTOMATE M6 LIMIT SETTING



Manually set/adjust the limits of the M6 motor without electronic wireless controllers.

AUTOMATE E6 CONTROLLERS



Compatible with Automate ARC range of controllers.

SYSTEM UPGRADES



WIRE GUIDE

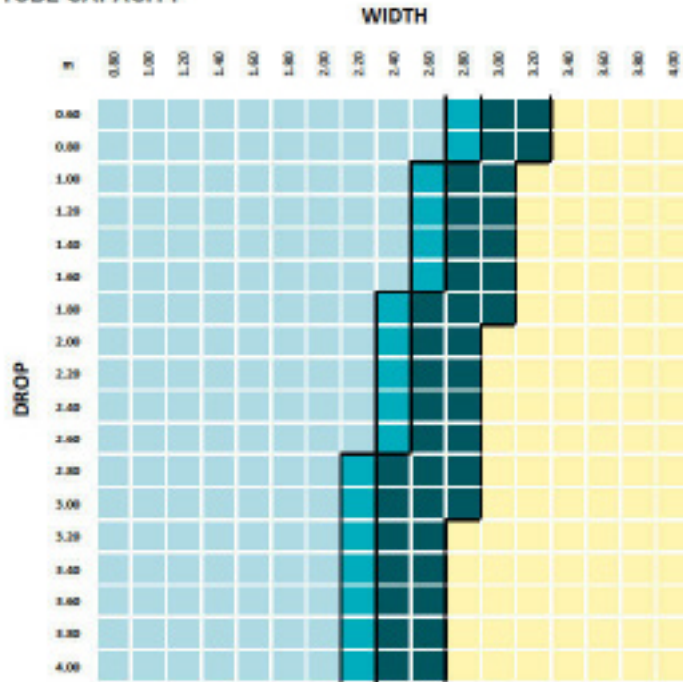


EASY-LINK

MOTOR | AC SPECIFICATIONS



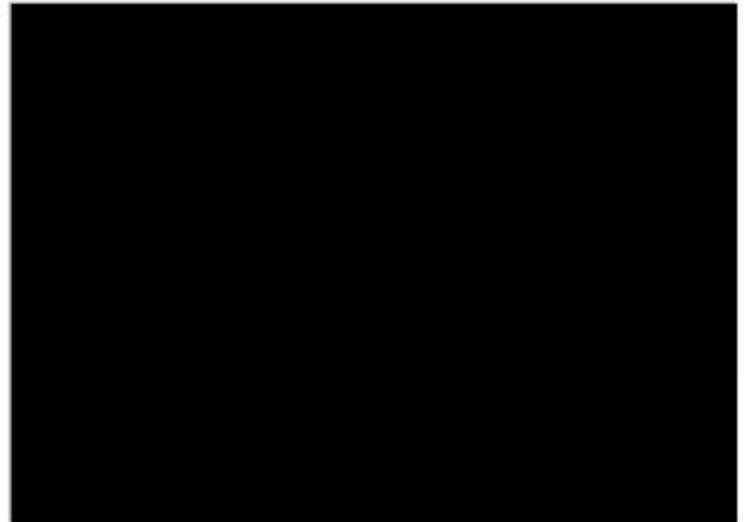
TUBE CAPACITY



TUBES	6.0Nm	PARAMETERS:
S45 LIGHT		FABRIC DENSITY: 390gsm
S45 STANDARD		FABRIC THICKNESS: 0.6mm
S45 HEAVY DUTY		WEIGHT BAR: D30 Bottom Rail
UNIKED		TUBE DEFLECTION: 1.05mm/m

AC MOTOR DEDICATED SINGLE BRACKETS

Brackets designed to handle the increased motor capacity.



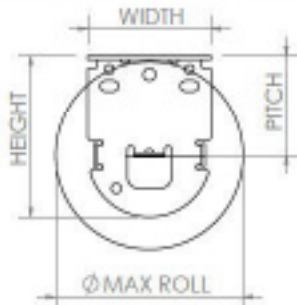
LIFTING CAPACITY	TUBE		
	S45 LT	S45 STD	S45 HD
6Nm	28.3kg	27.7kg	25.0kg



WWW.TEXSTYLE.COM.AU/COLLECTIONS/BALMORAL

TECHNICAL DATA

SINGLE BRACKETS	SPECIFICATIONS			MAX ROLL
	PITCH	WIDTH	HEIGHT	
LX M40 RB08	40mm	50mm	65mm	75mm
	55mm	50mm	80mm	105mm
LX M40 RB09	40mm	50mm	65mm	75mm
	55mm	50mm	80mm	105mm

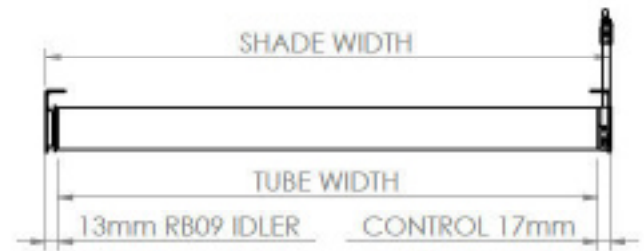


CONTROL OPTIONS	MINIMUM SHADE WIDTH (no covers)	TUBE DEDUCTIONS	
		NO BRACKET COVERS	WITH BRACKET COVERS
E6	674mm	29mm	31mm
M6	567mm	30mm	32mm

TUBE WIDTH = SHADE WIDTH - [CONTROL + IDLER]

DOUBLE BRACKETS = ADD 2mm to all values in above table.

Minimum Shade Width based on 5mm gap between hardware in tube.

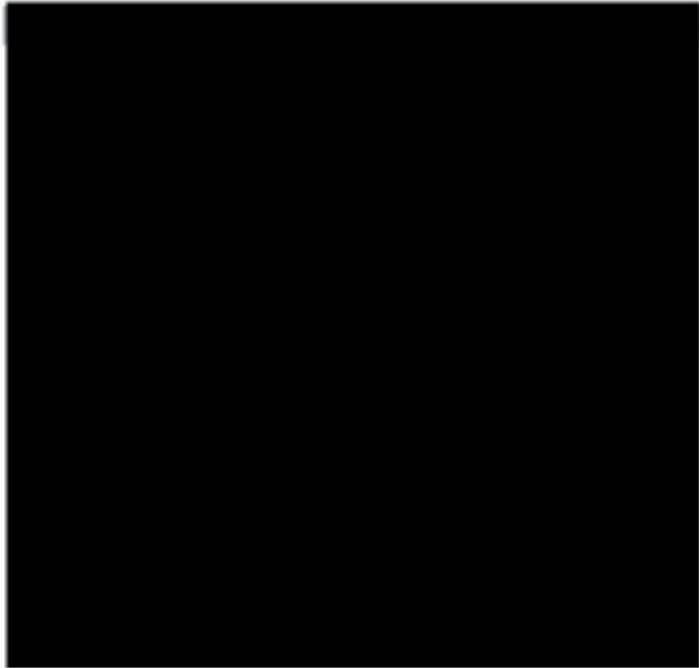


DOUBLE BRACKETS	MAX ROLL	SLIM PROFILE TOP-FRONT Fabric Roll Options	SLIM PROFILE TOP-BACK Fabric Roll Options	SQUARE-X Fabric Roll Options	SLIMLINE-X Fabric Roll Options
SLIM PROFILE/SQUARE-X	70mm				
SLIMLINE-X	65mm				

ALUMINIUM TUBES



TECHNICAL DATA



S45



TYPE		LIGHT	STD	HD
O.D.		43.0mm	44.0mm	49.0mm
D/S TAPE		✓	✓	✓
T-SPLINE		✓	✓	✓
9mm FLAT SPLINE		-	-	-
CHAIN	RBO7	✓	✓	✓
	RBO8	✓	✓	✓
	RBO9	✓	✓	✓
MOTOR	1.1Nm	✓	✓	✓
	2.0,3.0,6.0Nm	✓	✓	✓
SPRING	ESU	✓	✓	✓

BRACKETS | SINGLE



FEATURES & BENEFITS


- Easy-Lock assembly to simplify installation.
- Available in multiple styles.
- Specialised brackets optimised & designed for specific systems.
- Colour matched bracket covers to hide hardware.
- HD Adapter increases the standard bracket's strength for larger motors.




MOUNTING SOLUTIONS



OPTIONS



40 & 55 PITCH

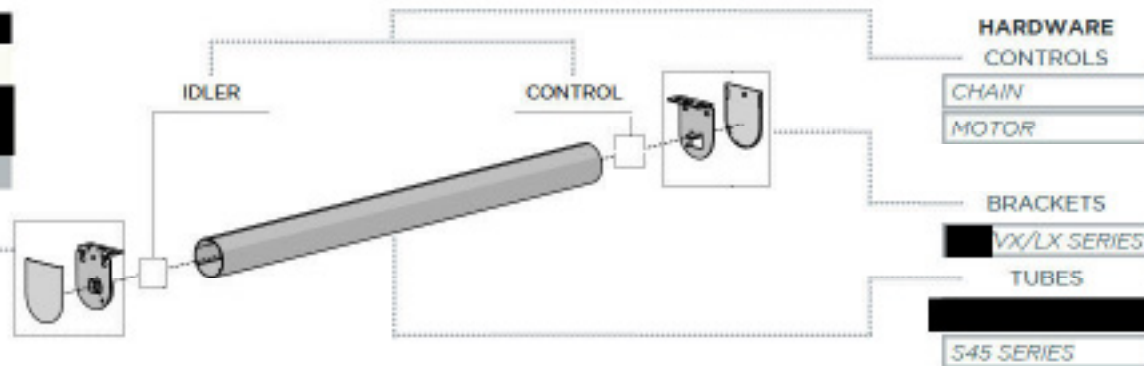


COVERS

black

pure white

silver grey



HARDWARE CONTROLS

CHAIN

MOTOR

BRACKETS


VX/LX SERIES

TUBES

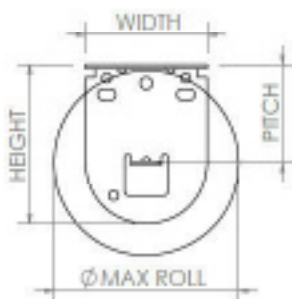
545 SERIES

EASY-LOCK TECHNOLOGY

Slide the idler pin up the ramp located on the idler bracket. Idler pin depresses and then extends once in place - securing the shade.





TECHNICAL DATA



PITCH	MAX ROLL
40mm	75mm
55mm	105mm

BRACKET WIDTH [mm]	PITCH [mm]	BRACKET HEIGHT [mm]	BRACKET COVERS	CLUTCH		MOTOR		SPRINGS	IDLER	USE WITH						
				RB08	RB09	1.1Nm/2.0Nm 5V	3.0Nm 12V			6.0Nm AC	ESU/ESW	RB08	RB09	MOUNTING RAIL	EASY-LINK	FRS VALANCE
50	40	65	✓	✓		✓	✓		✓		✓		✓	✓	✓	✓
50	40	65	✓	✓	✓	✓	✓	✓	✓	✓	✓	✓	✓	✓	✓	✓
	55	80									✓	✓				
50	40	65	✓				✓	✓	✓	✓	✓	✓	✓	✓	✓	✓
	55	80									✓	✓				

VX		Easy-Lock bracket that provides a clean silhouette to match hardware when seen without bracket covers	50	40	65	✓	✓		✓	✓		✓		✓	✓	✓
LX		Standard Easy-Lock brackets available in two visual styles, provides a refined, finished aesthetic. Unique ESU/W version.	50	40	65	✓	✓	✓	✓	✓	✓	✓	✓	✓	✓	✓
				55	80								✓	✓		
LX M40		Reinforced brackets for handling motors with increased torque.	50	40	65	✓			✓	✓	✓	✓	✓	✓	✓	✓
				55	80								✓	✓		

BRACKETS | DOUBLE



FEATURES & BENEFITS

- Combine sheer fabric and block-out fabric in one installation.
- Ultimate privacy while still allowing light into any given room.
- Easy-Lock assembly to simplify installation.
- Available in multiple configurations for every application.
- HD Adapter increases the standard bracket's strength for larger motors.

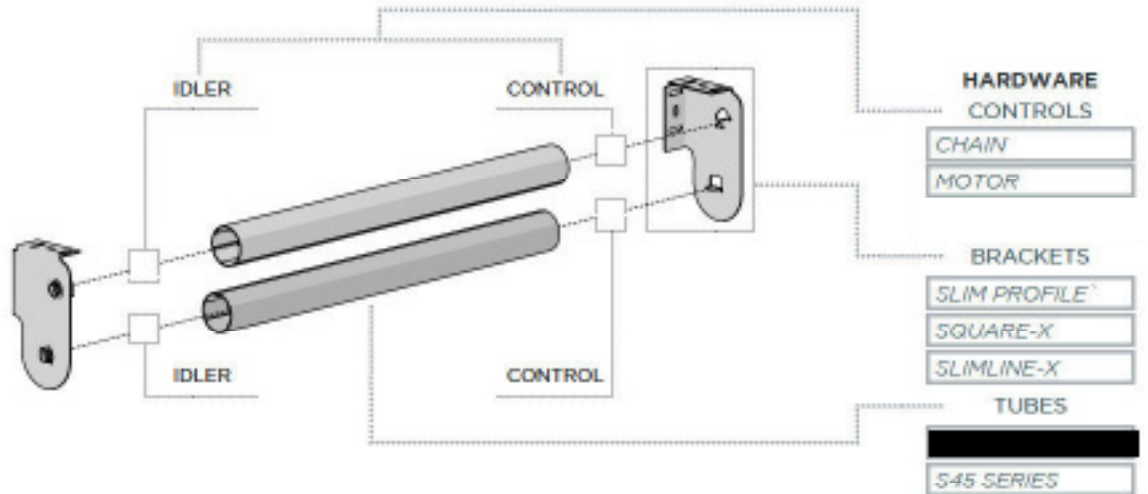


MOUNTING SOLUTIONS

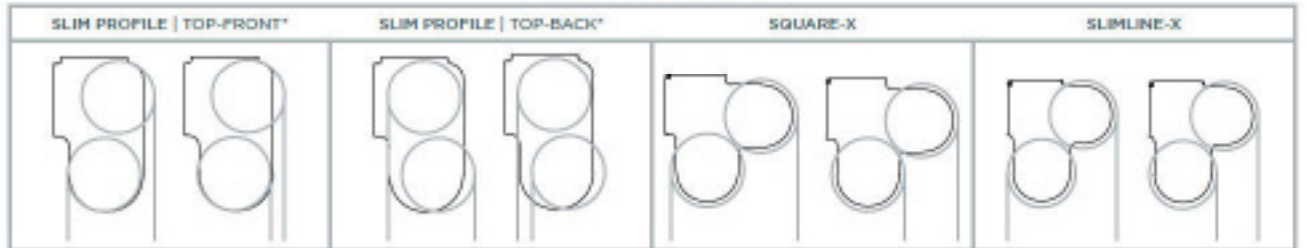


COLOUR RANGE

- black
- pure white
- silver grey



FABRIC ORIENTATION

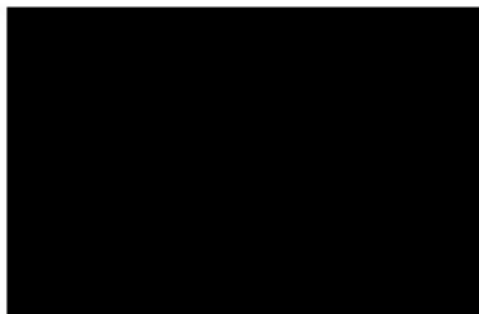


TECHNICAL DATA



**SLIM PROFILE BRACKETS REQUIRE FIXED GUIDE RB07 CHAIN CONTROL*

Rollease Acmeda recommends Slim Profile double brackets use the RB07 Chainwinder in the top position. The RB07 chainguard extends past the chainwinder housing, minimising chain contact with the bottom chainwinder. Please note, there are different deductions for each chainwinder.



	MAX ROLL SIZE (x2)	WINDER	MOTOR	MOTOR & HD ADAPTER	SPRINGS	IDLER	UPGRADE
		RB09	11Nm/2.0Nm 5V	3.0Nm 12V	6.0Nm AC	ESU / ESW	RB09
SLIM PROFILE TOP FRONT	70mm	✓	✓	✓	✓	✓	✓
SLIM PROFILE TOP BACK	70mm	✓	✓	✓	✓		
SQUARE-X	70mm	✓	✓	✓	✓	✓	✓
SLIM-LINE-X	65mm	✓	✓	✓	✓	✓	

SLIM PROFILE TOP FRONT		Top Front configured brackets use front over-rolled fabric to conceal both rolls. The Top Front fabric roll is installed on a 45° angle for improved chain control experience.
SLIM PROFILE TOP BACK		Slim profile bracket with tube controls both located on the same side bracket to minimise footprint in living space. Top Back configured brackets have the back roll at the top for optimum light blocking.
SQUARE-X		Square profile bracket with both tube controls located on the same bracket side.
SLIM-LINE-X		Square profile bracket with tube controls located on the alternate sides. Separating one chain control to each side simplifies operation for the user.

BOTTOM RAILS



FEATURES & BENEFITS

- Variety of sizes to suit all shade solutions.
- Multiple add-ons available to customise installation.
- Ends caps suitable to specific upgrades.
- Feed funnels available to assist in assembly.



COLOURS
REFER TO
CATALOGUE

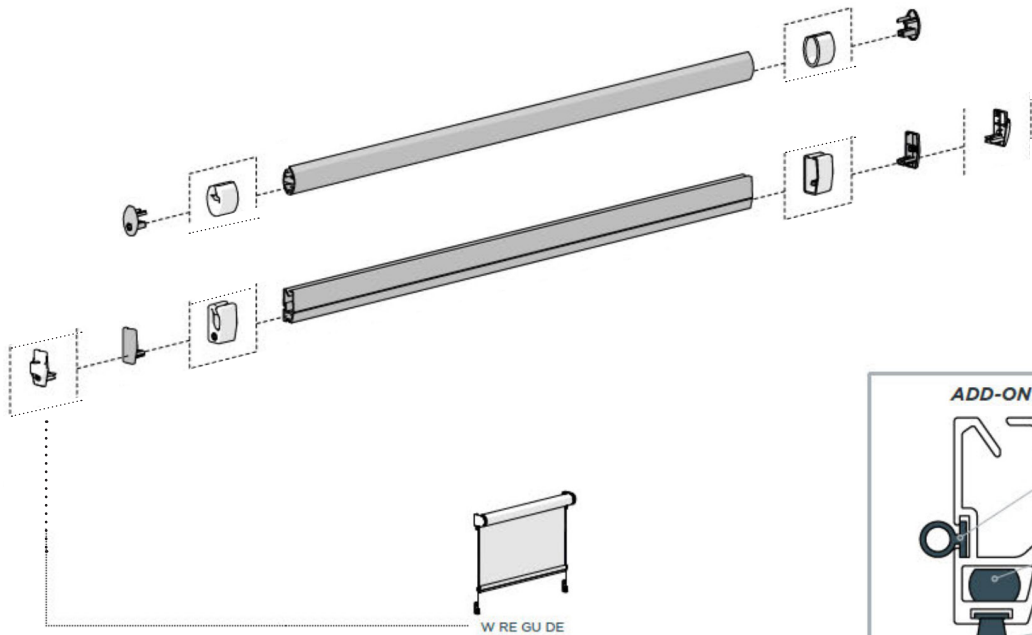
OPTIONS

BUBBLE SEAL

FABRIC BRUSH

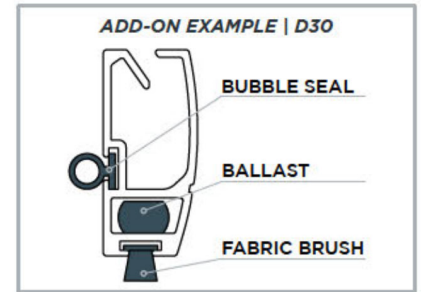
BALLAST

FABRIC WRAP

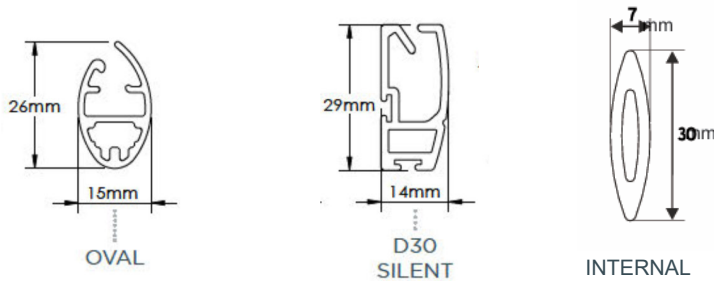


HARDWARE
BOTTOM RAILS

D30 SILENT



TECHNICAL DATA



		Bottom Rail COMPATIBILITY									
OVAL BOTTOM RAIL	Oval aesthetic.	0.284 kg/m			✓	✓	✓				
D30 SILENT BOTTOM RAIL	Premium solution. Fabric brush & bubble seal compatible to reduces noise and light gap	0.306 kg/m			✓	✓	✓	✓	✓	✓	✓

SYSTEM UPGRADES



ONLINE MEDIUM SYSTEM SUMMARY

SYSTEM UPGRADES

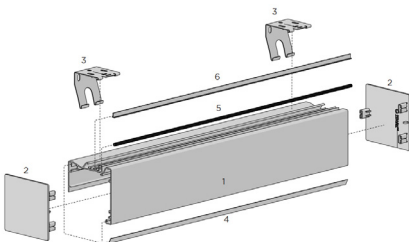
INTERNAL WIRE GUIDE



EASY-LINK



SQUARE CASSETTE 110



FEATURES & BENEFITS

- Functional and secure guide to locate roller shade fabric.
- Secures the Bottom Rail from knocks with a wire through each Bottom Rail end cap.
- Link multiple shades together achieving a minimal light gap.
- Control multiple shades with one control unit OR use a dual control set-up.
- Dual control has a control on each side with the idlers joined at the bracket.

- Decorative partial fascia to conceal the shade hardware.
- Option to wrap the extrusion in the same fabric as the shade.

INTERNAL WIRE GUIDE



FEATURES & BENEFITS

- Secure guide, aiding & controlling unwanted movement.
- Tensioners available to suit Top or Face mount.
- Crimping & Wire cutting tools available.
- Wire mounting brackets can be mounted outside the bracket for a larger max roll or inside the bracket to reduce the visual footprint.



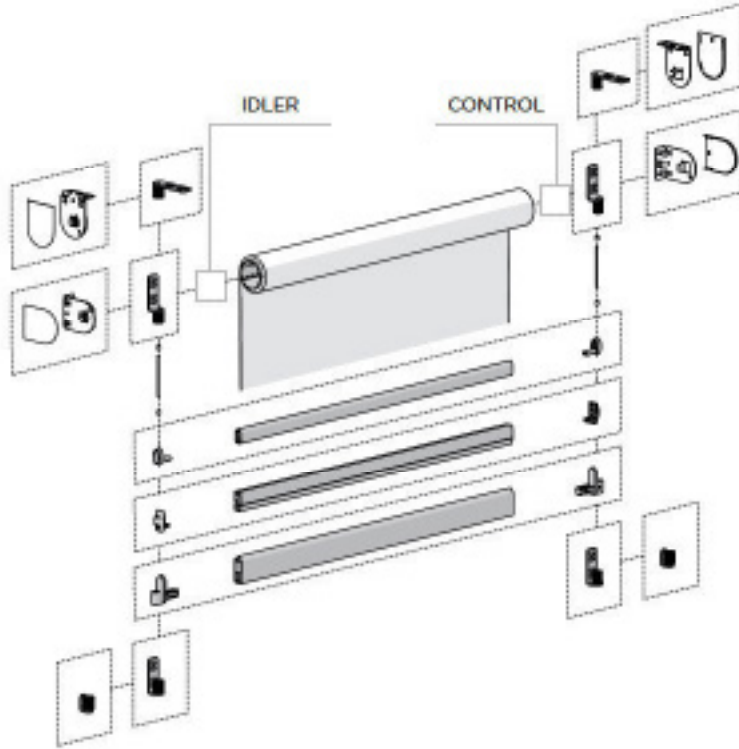
MOUNTING SOLUTIONS



COLOUR RANGE

- black
- pure white
- silver grey

WEBPAGE LINK



10 YEAR WARRANTY

HARDWARE MOUNTING

- TOP
- FACE
- CONTROLS
- CHAIN
- MOTOR

BRACKETS

- SINGLE | AX
- SINGLE | VX/LX
- SINGLE COVERS

TUBES

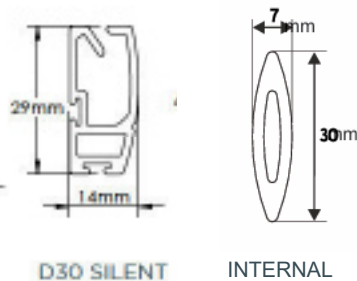
- S45 SERIES

TOOLS

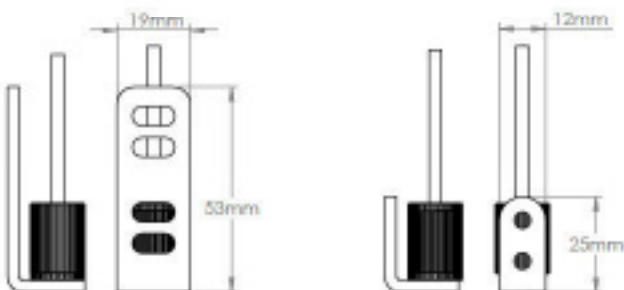
- CRIMPING
- WIRE CUTTING

SYSTEM FEATURES

Bottom Rails

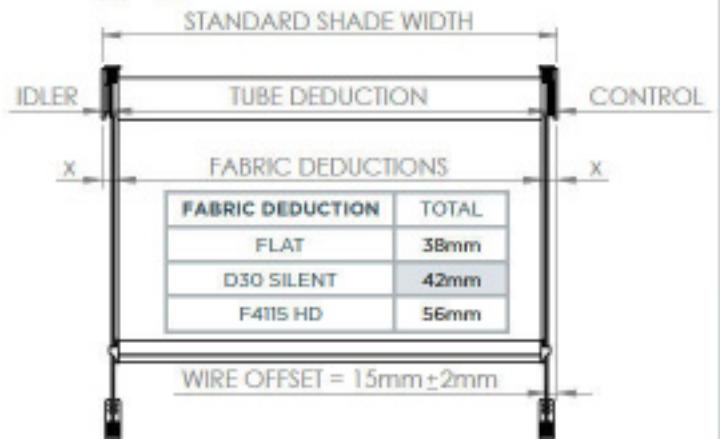
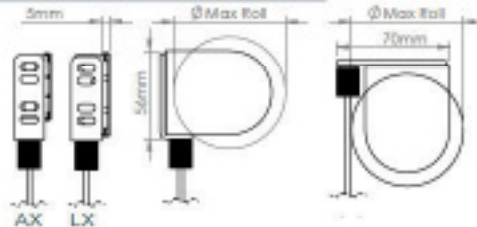


MOUNTING OPTIONS



TECHNICAL DATA

Wire Guide Bracket Location	MAX ROLL		AX
	Inside Bracket	LX BRKT.	
Inside Bracket	70mm	65mm	LX
Outside Bracket	75mm	70mm	



EASY-LINK



FEATURES & BENEFITS

- Control multiple shades simultaneously.
- Optional adaptor plug allowing for independent shade control, if required.
- Minimal 17mm light gap between shades.
- Roller bearing ensures quiet & smooth operation.



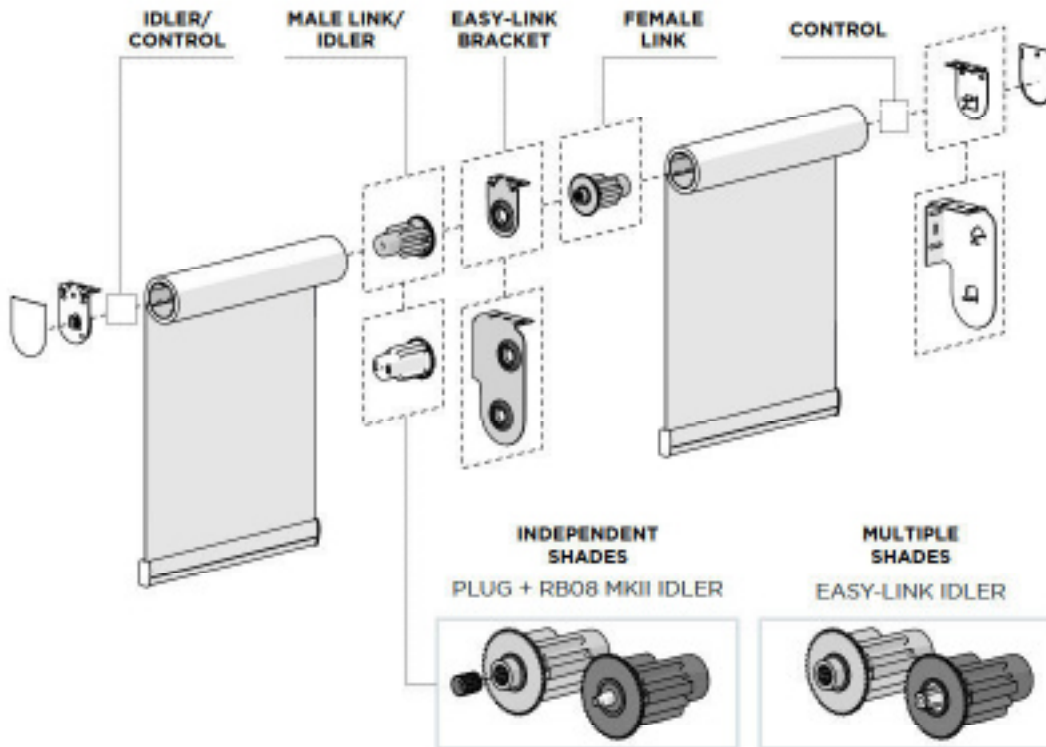
MOUNTING SOLUTIONS



COLOUR RANGE

- black
- pure white
- silver grey

WEBPAGE LINK



10 YEAR WARRANTY

HARDWARE CONTROLS

CHAIN

MOTOR

BRACKETS

SINGLE

SINGLE COVERS

DOUBLE

TUBES

S45 SERIES

BOTTOM RAILS

REFER TO PAGE

KEY SYSTEM FEATURES

Control multiple shades

Cost effective control of multiple shades.

Independent shades

Control each shade independently.

Bottom Rail alignment

Bottom Rail alignment can be adjusted during installation.

TECHNICAL DATA

MAX WEIGHT OF SYSTEM AFTER 1ST LINK

TUBES	LT	STD	HD
S45	14.1kg	13.9kg	12.5kg

Max torque of Easy-Link connection is 3Nm.

EASY-LINK SHADE WIDTH

OVERVIEW: SQUARE CASSETTE 110

The Square Cassette 110 system is a decorative one piece cover providing an elegant finish, compatible with S45 Roller Shade systems, Skyline tubes (1-1/2", 2") and Skyline clutches (SL10, SL15 & SL20).

Aesthetic Features

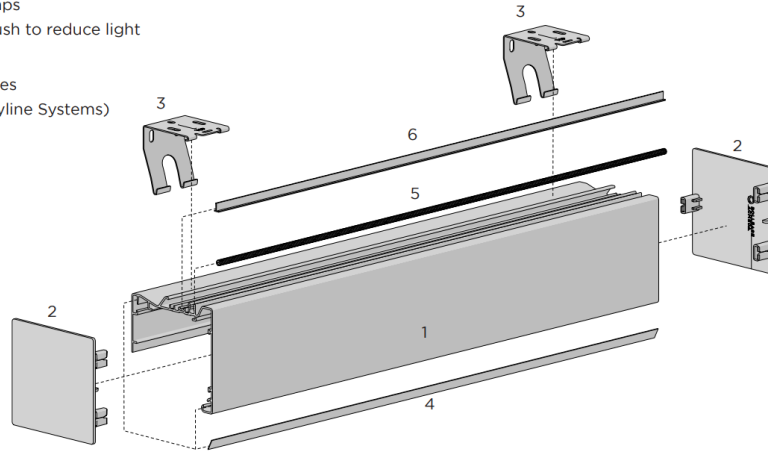
- Elegant Square Finish
- Fabric Wrap Option with Spline Function

Installation Benefits

- One piece design
- Additional bracket security
- Flush-fit color coded end-caps
- Compartment for Fabric Brush to reduce light

Functional Benefits

- Compatible with zebra shades
- Uses LX brackets (S45 & Skyline Systems)

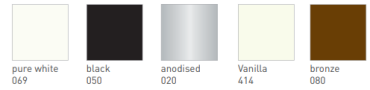


SYSTEM INDEX

1	Sq Cassette 110 Headrail 16' SB20-0504-xxx490
2	Sq Cassette 110 End Cap SB20-0503-xxx000
3	Cassette 100 & 110 Mounting Bracket SB20-0202-xxx100
4	10mm Flat Spline RB92-1003-001075 (double sided tape on both sides)
5	Round Ribbed Spline SS91-5237-050500 3.7mm SS91-5241-050500 4.1mm SS91-5246-050300 4.6mm
6	Fabric Brush SB91-0012-050300

xxx= colour

COLOUR RANGE



LX BRACKET OPTIONS

LX Skyline Bracket | 40mm Proj
SL01-0306-xxx040

Easy-Lock LX Bracket | S45
RB09-0352-xxx040

Easy-Lock Gear Small LX Brackets
RB05-9359-069040

Easy-Lock LX Bracket | S45
RB40-9355-xxx040 RB09

Screw #6 x 3/8" Hex Slotted
SC6375H25

SYSTEM OPTIONS

SKYLINE/S45



CRANK GEAR



MOTORISED



ESU/ESW



EASY-I LINK

