

Ripplefold Style
C.O.M Drapery Order Form

Account Name
Fax
Required Date
Customer P.O.#

Ship To	Attention
Address	
City/State/ZIP	
Phone	Fax
Ship Via	Delivery
	Pick Up
	Carrier

Line No.	Room Tag	QTY	Width Measure to 1/4"	Finished Length Measure to 1/4"	Fabric Supplier	Fabric Name	Fabric Color	Fullness		Stack	Carrier Style	Return Size		Lining	Hem Style	SBM Tracks	
								60%	100%			80%	120%			Standard	Custom
1								60%	100%	Split	Buttmaster	Standard	Unlined	4"	Yes		
								80%	120%	Right	Overlap	Custom	Premim	Euro	No		
										Left			Blackout				
Notes:																	
2								60%	100%	Split	Buttmaster	Standard	Unlined	4"	Yes		
								80%	120%	Right	Overlap	Custom	Premim	Euro	No		
										Left			Blackout				
Notes:																	
3								60%	100%	Split	Buttmaster	Standard	Unlined	4"	Yes		
								80%	120%	Right	Overlap	Custom	Premim	Euro	No		
										Left			Blackout				
Notes:																	
4								60%	100%	Split	Buttmaster	Standard	Unlined	4"	Yes		
								80%	120%	Right	Overlap	Custom	Premim	Euro	No		
										Left			Blackout				
Notes:																	
5								60%	100%	Split	Buttmaster	Standard	Unlined	4"	Yes		
								80%	120%	Right	Overlap	Custom	Premim	Euro	No		
										Left			Blackout				
Notes:																	

If customers provides their own tracks for ripplefold workroom needs to have carrier count for the drapery to mach.

This order is custom made and cannot be changed or cancel once goods are cut.

Track and off floor deduction will be made, customer needs to provide finished length.

Pleated Style
C.O.M Drapery Order Form

Account #	Account Name
Address	
City/State/ZIP	
Phone	Fax
Ordered By	
Date Ordered	Required Date
Sidemark	Customer P.O.#

Ship To	Attention
Address	
City/State/ZIP	
Phone	Fax
Ship Via	Delivery
	Pick Up
	Carrier

Line No.	Room Tag	QTY	Width Measure to 1/4"	Finished Length Measure to 1/4"	Fabric Supplier	Fabric Name	Fabric Color	Pleat Style	Stack	Fullness	Return Size	Lining	Hem Style	SBM Tracks
1								Triple Double Box	Split Right Left	x 2 Fullness x 2.5 Fullness	Standard Custom	Unlined Premim Blackout	4" Euro	Yes No
Notes:											Pinch Pleat Top Pinch Pleat Botom			
2								Triple Double Box	Split Right	x 2 Fullness x 2.5 Fullness	Standard Custom	Unlined Premim	4" Euro	Yes No
Notes:											Pinch Pleat Top Pinch Pleat Botom			
3								Triple Double Box	Split Right	x 2 Fullness x 2.5 Fullness	Standard Custom	Unlined Premim	4" Euro	Yes No
Notes:											Pinch Pleat Top Pinch Pleat Botom			
4								Triple Double Box	Split Right	x 2 Fullness x 2.5 Fullness	Standard Custom	Unlined Premim	4" Euro	Yes No
Notes:											Pinch Pleat Top Pinch Pleat Botom			
5								Triple Double Box	Split Right	x 2 Fullness x 2.5 Fullness	Standard Custom	Unlined Premim	4" Euro	Yes No
Notes:											Pinch Pleat Top Pinch Pleat Botom			

This order is custom made and cannot be changed or cancel once goods are cut.
 Track and off floor deduction will be made, customer needs to provide finished length.
 If shades by matiss tracks are requested to be supplied with the order, customer needs to specify drapery finished length based on the track specification they desire to use. Track specifications on next page.

Grommet Style
C.O.M Drapery Order Form

Account #	Account Name
Address	
City/State/ZIP	
Phone	Fax
Ordered By	
Date Ordered	Required Date
Sidemark	Customer P.O.#

Ship To	Attention		
Address			
City/State/ZIP			
Phone	Fax		
Ship Via	Delivery	Pick Up	Carrier

Line No.	Room Tag	QTY	Width Measure to 1/4"	Finished Length Measure to 1/4"	Fabric Supplier	Fabric Name	Fabric Color	Grommet Color	Stack	Return Size	Lining	Hem Style
1								Satin Nickel Matte Black Brass	Split Right Left	Standard Custom	Unlined Premim Blackout	4" Euro
Notes:												
2								Satin Nickel Matte Black Brass	Split Right Left	Standard Custom	Unlined Premim Blackout	4" Euro
Notes:												
3								Satin Nickel Matte Black Brass	Split Right Left	Standard Custom	Unlined Premim Blackout	4" Euro
Notes:												
4								Satin Nickel Matte Black Brass	Split Right Left	Standard Custom	Unlined Premim Blackout	4" Euro
Notes:												
5								Satin Nickel Matte Black Brass	Split Right Left	Standard Custom	Unlined Premim Blackout	4" Euro
Notes:												

This order is custom made and cannot be changed or cancel once goods are cut.
 Track and off floor deduction will be made, customer needs to provide finished length.

Fabric Roman Sades C.O.M Order Form

Account #	Account Name
Address	
City/State/ZIP	
Phone	Fax
Ordered By	
Date Ordered	Required Date
Sidemark	Customer P.O.#

Ship To	Attention		
Address			
City/State/ZIP			
Phone	Fax		
Ship Via	Delivery	Pick Up	Carrier

Line No.	Room Tag	QTY	Width Measure to 1/8"	Length Measure to 1/8"	Fabric Supplier	Fabric Name	Fabric Color	Style	Control	Mount	Lining	Alignment	Side by Side with line
1								Knife/ Back Pleat Ribbed Front Pleat Flat/Classic	Chain Right Chain Left Motorized	IB OB	Unlined Premium Blackout	Top Bottom Standrad	
Notes:													
2								Knife/ Back Pleat Ribbed Front Pleat Flat/Classic	Chain Right Chain Left Motorized	IB OB	Unlined Premium Blackout	Top Bottom Standrad	
Notes:													
3								Knife/ Back Pleat Ribbed Front Pleat Flat/Classic	Chain Right Chain Left Motorized	IB OB	Unlined Premium Blackout	Top Bottom Standrad	
Notes:													
4								Knife/ Back Pleat Ribbed Front Pleat Flat/Classic	Chain Right Chain Left Motorized	IB OB	Unlined Premium Blackout	Top Bottom Standrad	
Notes:													
5								Knife/ Back Pleat Ribbed Front Pleat Flat/Classic	Chain Right Chain Left Motorized	IB OB	Unlined Premium Blackout	Top Bottom Standrad	
Notes:													

This order is custom made and cannot be changed or cancel once goods are cut.

Drapery Track Order Form

Account #	Account Name
Address	
City/State/ZIP	
Phone	Fax
Ordered By	
Date Ordered	Required Date
Sidemark	Customer P.O.#

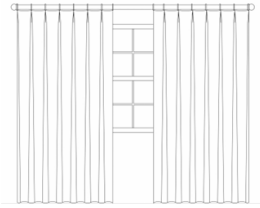
Ship To	Attention
Address	
City/State/ZIP	
Phone	Fax
Ship Via	Delivery
	Pick Up
	Carrier

Line No.	Room Tag	QTY	Length Measure to 1/8"	Kirsch Manual	Motorized	Carrier Style	Master Carrier Style	Carriers	Mount	Stack	Control/Motor Position	Splice	Return
1				Kirsch 94001 Cord Control Kirsch 94003 Cord Control Kirsch 94003 Baton Kirsch 94003 Hand Draw	Kirsch 94001 Versa Battery Kirsch 94001 Versa AC Glydea Battery Glydea AC	Pleated Ripplefold • 60% • 80% • 100% • 120%	Overlap Buttmaster	Standard Custom QTY	Wall Ceiling	Split One Way Right One way Left	Right Left	Yes NO	3.5" Custom
Notes:				**Specify Controllers for Motorized Tarcks**				**Specify Cord Length** ***Baton Length***					
2				Kirsch 94001 Cord Control Kirsch 94003 Cord Control Kirsch 94003 Baton Kirsch 94003 Hand Draw	Kirsch 94001 Versa Battery Kirsch 94001 Versa AC Glydea Battery Glydea AC	Pleated Ripplefold • 60% • 80% • 100% • 120%	Overlap Buttmaster	Standard Custom QTY	Wall Ceiling	Split One Way Right One way Left	Right Left	Yes NO	3.5" Custom
Notes:				**Specify Controllers for Motorized Tarcks**				**Specify Cord Length** ***Baton Length***					
3				Kirsch 94001 Cord Control Kirsch 94003 Cord Control Kirsch 94003 Baton Kirsch 94003 Hand Draw	Kirsch 94001 Versa Battery Kirsch 94001 Versa AC Glydea Battery Glydea AC	Pleated Ripplefold • 60% • 80% • 100% • 120%	Overlap Buttmaster	Standard Custom QTY	Wall Ceiling	Split One Way Right One way Left	Right Left	Yes NO	3.5" Custom
Notes:				**Specify Controllers for Motorized Tarcks**				**Specify Cord Length** ***Baton Length***					
4				Kirsch 94001 Cord Control Kirsch 94003 Cord Control Kirsch 94003 Baton Kirsch 94003 Hand Draw	Kirsch 94001 Versa Battery Kirsch 94001 Versa AC Glydea Battery Glydea AC	Pleated Ripplefold • 60% • 80% • 100% • 120%	Overlap Buttmaster	Standard Custom QTY	Wall Ceiling	Split One Way Right One way Left	Right Left	Yes NO	3.5" Custom
Notes:				**Specify Controllers for Motorized Tarcks**				**Specify Cord Length** ***Baton Length***					

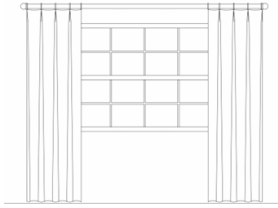
****Tracks come white color only

This order is custom made and cannot be changed or cancel once goods are cut.

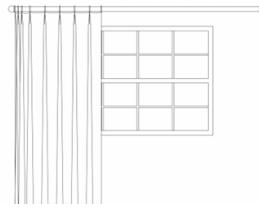
Stacking



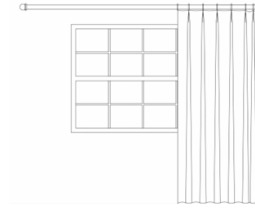
Split Stack



Stationary Panels

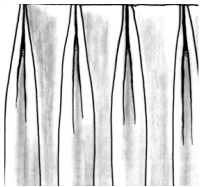


One Way Left

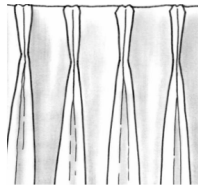


One Way Right

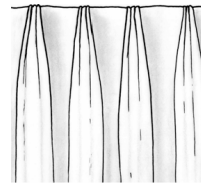
Pleated Drapery Options



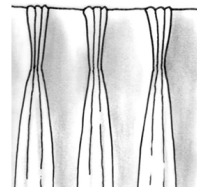
Double Pleat Top Stitch



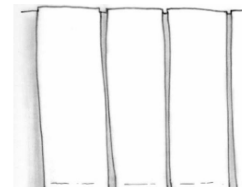
Double Pleat Bottom Stitch



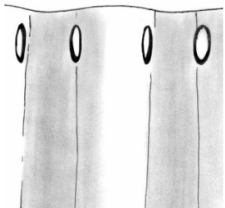
Triple Pleat Top Stitch



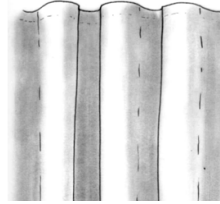
Triple Pleat Bottom Stitch



Box Pleat



Grommet 1 3/4" diameter



Ripplefold

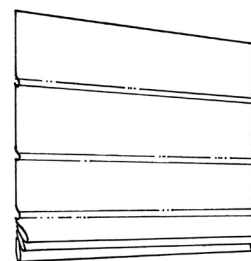
Butt Master



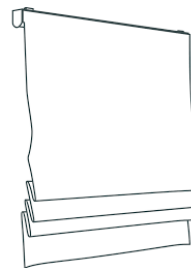
Overlap Master



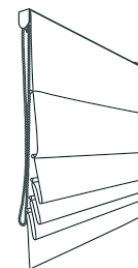
Roman Shades



Ribbed/ Front Pleat



Classic/ Flat



Knife/ Back Pleat

Grommet Colors



Satin Nickel



Matte Black



Brass



Ripplefold Style



Pleated Style

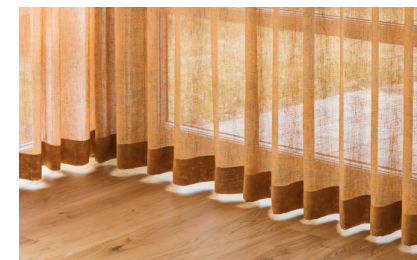


Grommet Style

Ripplefold Style Specification



Ripplefold Specification	
Fullness Options	60%, 80%, 100%, 100%
Liner Options (White Color Only Supplied by SBM)	Unlined, Privacy, Blackout
Stacking	One Way Right, One Way Left, Split
Master Carrier Options	Butt master or Overlap
Side Hems	1.5" Blind Stitched
Bottom Hem Options	4" Blinds Stitched (Sheer or Lined) Euro Hem (Sheer Only)
Header Options	Standard Tape 1.5" Header
Minimum Width*	25"
Maximum Width*	300"
Minimum Height*	60"
Maximum height*	216"
Weights	Sheer – lead string inside of hems for Euro Style Sheer, Non-sheer – square weights in corners for 4" Bottom Hem Style
Returns	Standard is 3 1/2" unless otherwise specified
Seam Exposure	Ripplefold draperies made in multiple widths may have visible seams. Workroom may railroad fabric to avoid seams where possible.



4" Bottom Hem (Sheer and Lined)



Euro Hem (Sheer Only)



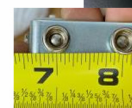
Ripplefold Tape

	FULLNESS	APPEARANCE OF	WHEELED CARRIER SPACING
↑ FULLEST	120%		2.5 x Fullness 1 7/8"
	100%		2 x Fullness 2 1/8"
	80%		1.8 x Fullness 2 3/8"
	60%		1.6 x Fullness 2 5/8"

Butt Master



Overlap Master



* inquire for out of spec possibilities

If customers provides their own tracks for ripplefold workroom needs to have carrier count for the drapery to mach.



Blind Stitched Side Hem

Ripplefold Style Specification

Ripplefold™ for Butt Master

To help determine which system is right for your project, use the guideline below to select the best fit.

FULL SPACES REQUIRED	FABRIC WIDTH HEMMED	*NUMBER OF CARRIERS	PANEL COVERAGE: 120% FULLNESS	PANEL COVERAGE: 100% FULLNESS	PANEL COVERAGE: 80% FULLNESS	PANEL COVERAGE: 60% FULLNESS	STACKBACK ONE WAY	STACKBACK TWO WAY (per side)
7	29.75	8	15.00	17.00	19.00	21.00	8.75	6.25
9	38.25	10	18.75	21.25	23.75	26.25	10	6.75
11	46.75	12	22.50	25.50	28.50	31.50	11	7.25
13	55.25	14	26.25	29.75	33.25	36.75	12	7.75
15	63.75	16	30.00	34.00	38.00	42.00	13	8.25
17	72.25	18	33.75	38.25	42.75	47.25	14.25	9
19	80.75	20	37.50	42.50	47.50	52.50	15.25	9.5
21	89.25	22	41.25	46.75	52.25	57.75	16.5	10
23	97.75	24	45.00	51.00	57.00	63.00	17.5	10.5
25	106.25	26	48.75	55.25	61.75	68.25	18.5	11
27	114.75	28	52.50	59.50	66.50	73.50	19.5	11.5
29	123.25	30	56.25	63.75	71.25	78.75	20.75	12
31	131.75	32	60.00	68.00	76.00	84.00	21.75	12.5
33	140.25	34	63.75	72.25	80.75	89.25	23	13.25
35	148.75	36	67.50	76.50	85.50	94.50	24	13.75
37	157.25	38	71.25	80.75	90.25	99.75	25	14.25
39	165.75	40	75.00	85.00	95.00	105.00	26	14.75
41	174.25	42	78.75	89.25	99.75	110.25	27.25	15.25
43	182.75	44	82.50	93.50	104.50	115.50	28.25	16
45	191.25	46	86.25	97.75	109.25	120.75	29.25	16.5
47	199.75	48	90.00	102.00	114.00	126.00	30.5	17
49	208.25	50	93.75	106.25	118.75	131.25	31.5	17.5
51	216.75	52	97.50	110.50	123.50	136.50	32.5	18
53	225.25	54	101.25	114.75	128.25	141.75	33.75	18.5
55	233.75	56	105.00	119.00	133.00	147.00	34.75	19
57	242.25	58	108.75	123.25	137.75	152.25	35.75	19.75
59	250.75	60	112.50	127.50	142.50	157.50	37	20.25
61	259.25	62	116.25	131.75	147.25	162.75	38	20.75
63	267.75	64	120.00	136.00	152.00	168.00	39	21.25
65	276.25	66	123.75	140.25	156.75	173.25	40	21.75
67	284.75	68	127.50	144.50	161.50	178.50	41.25	22.5
69	239.25	70	131.25	148.75	166.25	183.75	42.25	23
71	301.75	72	135.00	153.00	171.00	189.00	43.5	23.5
73	310.25	74	138.75	157.25	175.75	194.25	44.5	24
75	318.75	76	142.50	161.50	180.50	199.50	45.5	24.5
77	327.25	78	146.25	165.75	185.25	204.75	46.5	25

Includes one carrier (button position only) for attachment to master.

FULL SPACES REQUIRED	FABRIC WIDTH HEMMED	*NUMBER OF CARRIERS	PANEL COVERAGE: 120% FULLNESS	PANEL COVERAGE: 100% FULLNESS	PANEL COVERAGE: 80% FULLNESS	PANEL COVERAGE: 60% FULLNESS	STACKBACK ONE WAY	STACKBACK TWO WAY (per side)
79	335.75	80	150.00	170.00	190.00	210.00	47.75	25.5
81	344.25	82	153.75	174.25	194.75	215.25	48.75	26
83	352.75	84	157.50	178.50	199.50	220.50	50	26.75
85	361.25	86	161.25	182.75	204.25	225.75	51	27.25
87	369.75	88	165.00	187.00	209.00	231.00	52	27.75
89	378.25	90	168.75	191.25	213.75	236.25	53	28.25
91	386.75	92	172.50	195.50	218.50	241.50	54.25	28.75
93	395.25	94	176.25	199.75	223.25	246.75	55.25	29.5
95	403.75	96	180.00	204.00	228.00	252.00	56.25	30
97	412.25	98	183.75	208.25	232.75	257.25	57.5	30.5
99	420.75	100	187.50	212.50	237.50	262.50	58.5	31
101	429.25	102	191.25	216.75	242.25	267.75	59.5	31.5
103	437.75	104	195.00	221.00	247.00	273.00	60.75	32
105	446.25	106	198.75	225.25	251.75	278.25	61.75	32.5
107	454.75	108	202.50	229.50	256.50	283.50	62.75	33.25
109	463.25	110	206.25	233.75	261.25	288.75	64	33.75
111	471.75	112	210.00	238.00	266.00	294.00	65	34.25
113	480.25	114	213.75	242.25	270.75	299.25	66	34.75
115	488.75	116	217.50	246.50	275.50	304.50	67	35.25
117	497.25	118	221.25	250.75	280.25	309.75	68.25	36
119	505.75	120	225.00	255.00	285.00	315.00	69.25	36.5
121	514.25	122	228.75	259.25	289.75	320.25	70.5	37
123	522.75	124	232.50	263.50	294.50	325.50	71.5	37.5
125	531.25	126	236.25	267.75	299.25	330.75	72.5	38
127	539.75	128	240.00	272.00	304.00	336.00	73.5	38.5
129	548.25	130	243.75	276.25	308.75	341.25	74.75	39
131	556.75	132	247.50	280.50	313.50	346.50	75.75	39.5
133	565.25	134	251.25	284.75	318.25	351.75	77	40.25
135	573.75	136	255.00	289.00	323.00	357.00	78	40.75
137	582.25	138	258.75	293.25	327.75	362.25	79	41.25
139	590.75	140	262.50	297.50	332.50	367.50	80	41.75
141	599.25	142	266.25	301.75	337.25	372.75	81.25	42.25
143	607.75	144	270.00	306.00	342.00	378.00	82.25	43
145	616.25	146	273.75	310.25	346.75	383.25	83.25	43.5
147	624.75	148	277.50	314.50	351.50	388.50	84.5	44
149	633.25	150	281.25	318.75	356.25	393.75	85.5	44.5

Includes one carrier (button position only) for attachment to master.

Ripplefold Style Specification

Ripplefold™ for Overlap Master

To help determine which system is right for your project, use the guideline below to select the best fit.

FULL SPACES REQUIRED	FABRIC WIDTH HEMMED	*NUMBER OF CARRIERS	PANEL COVERAGE: 120% FULLNESS	PANEL COVERAGE: 100% FULLNESS	PANEL COVERAGE: 80% FULLNESS	PANEL COVERAGE: 60% FULLNESS	STACKBACK ONE WAY	STACKBACK TWO WAY (per side)
7	35.75	8	15.00	17.00	19.00	21.00	10.75	8.75
9	44.25	10	18.75	21.25	23.75	26.25	12	9.25
11	52.75	12	22.50	25.50	28.50	31.50	13	9.75
13	61.25	14	26.25	29.75	33.25	36.75	14	10.25
15	69.75	16	30.00	34.00	38.00	42.00	15	10.75
17	78.25	18	33.75	38.25	42.75	47.25	16.25	11.5
19	86.75	20	37.50	42.50	47.50	52.50	17.25	12
21	95.25	22	41.25	46.75	52.25	57.75	18.5	12.5
23	103.75	24	45.00	51.00	57.00	63.00	19.5	13
25	112.25	26	48.75	55.25	61.75	68.25	20.5	13.5
27	120.75	28	52.50	59.50	66.50	73.50	21.5	14
29	129.25	30	56.25	63.75	71.25	78.75	22.75	14.5
31	137.75	32	60.00	68.00	76.00	84.00	23.75	15
33	146.25	34	63.75	72.25	80.75	89.25	25	15.75
35	154.75	36	67.50	76.50	85.50	94.50	26	16.25
37	163.25	38	71.25	80.75	90.25	99.75	27	16.75
39	171.75	40	75.00	85.00	95.00	105.00	28	17.25
41	180.25	42	78.75	89.25	99.75	110.25	29.25	17.75
43	188.75	44	82.50	93.50	104.50	115.50	30.25	18.5
45	197.25	46	86.25	97.75	109.25	120.75	31.25	19
47	205.75	48	90.00	102.00	114.00	126.00	32.5	19.5
49	214.25	50	93.75	106.25	118.75	131.25	33.5	20
51	222.75	52	97.50	110.50	123.50	136.50	34.5	20.5
53	231.25	54	101.25	114.75	128.25	141.75	35.75	21
55	239.75	56	105.00	119.00	133.00	147.00	36.75	21.5
57	248.25	58	108.75	123.25	137.75	152.25	37.75	22.25
59	256.75	60	112.50	127.50	142.50	157.50	39	22.75
61	265.25	62	116.25	131.75	147.25	162.75	40	23.25
63	273.75	64	120.00	136.00	152.00	168.00	41	23.75
65	282.25	66	123.75	140.25	156.75	173.25	42	24.25
67	290.75	68	127.50	144.50	161.50	178.50	43.25	25
69	299.25	70	131.25	148.75	166.25	183.75	44.25	25.5
71	307.75	72	135.00	153.00	171.00	189.00	45.5	26
73	316.25	74	138.75	157.25	175.75	194.25	46.5	26.5
75	324.75	76	142.50	161.50	180.50	199.50	47.5	27
77	333.25	78	146.25	165.75	185.25	204.75	48.5	27.5

Includes one carrier (button position only) for attachment to master.

FULL SPACES REQUIRED	FABRIC WIDTH HEMMED	NUMBER OF CARRIERS	PANEL COVERAGE: 120% FULLNESS	PANEL COVERAGE: 100% FULLNESS	PANEL COVERAGE: 80% FULLNESS	PANEL COVERAGE: 60% FULLNESS	STACKBACK ONE WAY	STACKBACK TWO WAY (per side)
79	341.75	80	150.00	170.00	190.00	210.00	49.75	28
81	350.25	82	153.75	174.25	194.75	215.25	50.75	28.5
83	358.75	84	157.50	178.50	199.50	220.50	52	29.25
85	367.25	86	161.25	182.75	204.25	225.75	53	29.75
87	375.75	88	165.00	187.00	209.00	231.00	54	30.25
89	384.25	90	168.75	191.25	213.75	236.25	55	30.75
91	392.75	92	172.50	195.50	218.50	241.50	56.25	31.25
93	401.25	94	176.25	199.75	223.25	246.75	57.25	32
95	409.75	96	180.00	204.00	228.00	252.00	58.25	32.5
97	418.25	98	183.75	208.25	232.75	257.25	59.5	33
99	426.75	100	187.50	212.50	237.50	262.50	60.5	33.5
101	435.25	102	191.25	216.75	242.25	267.75	61.5	34
103	443.75	104	195.00	221.00	247.00	273.00	62.75	34.5
105	452.25	106	198.75	225.25	251.75	278.25	63.75	35
107	460.75	108	202.50	229.50	256.50	283.50	64.75	35.75
109	469.25	110	206.25	233.75	261.25	288.75	66	36.25
111	477.75	112	210.00	238.00	266.00	294.00	67	36.75
113	486.25	114	213.75	242.25	270.75	299.25	68	37.25
115	494.75	116	217.50	246.50	275.50	304.50	69	37.75
117	503.25	118	221.25	250.75	280.25	309.75	70.25	38.5
119	511.75	120	225.00	255.00	285.00	315.00	71.25	39
121	520.25	122	228.75	259.25	289.75	320.25	72.5	39.5
123	528.75	124	232.50	263.50	294.50	325.50	73.5	40
125	537.25	126	236.25	267.75	299.25	330.75	74.5	40.5
127	545.75	128	240.00	272.00	304.00	336.00	75.5	41
129	554.25	130	243.75	276.25	308.75	341.25	76.75	41.5
131	562.75	132	247.50	280.50	313.50	346.50	77.75	42
133	571.25	134	251.25	284.75	318.25	351.75	79	42.75
135	579.75	136	255.00	289.00	323.00	357.00	80	43.25
137	588.25	138	258.75	293.25	327.75	362.25	81	43.75
139	596.75	140	262.50	297.50	332.50	367.50	82	44.25
141	605.25	142	266.25	301.75	337.25	372.75	83.25	44.75
143	613.75	144	270.00	306.00	342.00	378.00	84.25	45.5
145	622.25	146	273.75	310.25	346.75	383.25	85.25	46
147	630.75	148	277.50	314.50	351.50	388.50	86.5	46.5
149	639.25	150	281.25	318.75	356.25	393.75	87.5	47

Includes one carrier (button position only) for attachment to master.

Pleated Style Specification



Pleated Style Specification	
Fullness Options	x 2, x 2.5
Liner Options (White Color Only Supplied by SBM)	Unlined, Privacy, Blackout
Stacking	One Way Right, One Way Left, Split
Master Carrier Options	Overlap
Side Hems	1.5" Blind Stitched
Bottom Hem Options	4" Blinds Stitched (Sheer or Lined) Euro Hem (Sheer Only)
Header Options	Standard Tape, 4" Header
Minimum Width*	25"
Maximum Width*	300"
Minimum Height*	60"
Maximum height*	216"
Weights	Sheer – lead string inside of hems for Euro Style Sheer, Non-sheer – square weights in corners for 4" Bottom Hem Style
Returns	Standard is 3 ½" unless otherwise specified
Seam Exposure	Ripplefold draperies made in multiple widths may have visible seams. Workroom may railroad fabric to avoid seams where possible.
Pleat Options	Double Stitch Top, Double Stitch Bottom Tripple Stitch Top, Triple Stitch Bottom
Pleat Distance	3.5" and 4" varies, based on fullness, final required width and material limitations



4" Bottom Hem (Sheer and Lined)



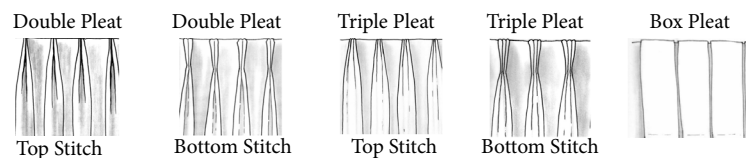
Euro Hem (Sheer Only)



Sewn In Adjustable Plastic Hook



Blind Stitched Side Hem



* inquire for out of spec possibilities

Overlap Master



The Triple Pinch Pleat Bottom Stitch is the most popular and traditional style of pleat for a traversing drapery. Tight and neat top stitch gives a nice minimalist look to the drapery. Similarly to the traditional Triple Pinch Pleat, the Double Pleat Style has two folds for each pleat instead of three. The Double Pleat Top Stitch style has the folds of each pleat neatly tacked at the top. Box Pleat is modern interpretation of a traditional pleated drapery, pleats are inverted.

Pleated Stack Guide

for 16mm carriers

SIZE OF TRACK (in inches)	5 CARRIERS PER FOOT 3x FULLNESS		4 CARRIERS PER FOOT 2½x FULLNESS		3 CARRIERS PER FOOT 2x FULLNESS	
	STACKBACK ONE-WAY	STACKBACK TWO-WAY (per side)	STACKBACK ONE-WAY	STACKBACK TWO-WAY (per side)	STACKBACK ONE-WAY	STACKBACK TWO-WAY (per side)
18	11.75	8.75	10.5	8.5	10.5	8.5
24	13	9.25	11.75	8.75	10.5	8.5
30	15.75	10.5	13	9.25	11.75	8.75
36	17	11.25	14.5	10	13	9.25
42	18.5	12	15.75	10.5	14.5	10
48	19.75	12.5	17	11.25	14.5	10
54	22.25	14	18.5	12	15.75	10.5
60	23.75	14.5	19.75	12.5	17	11.25
66	25	15.25	21	13.25	18.5	12
72	26.25	16	22.25	14	18.5	12
78	29	17.25	23.75	14.5	19.75	12.5
84	30.25	18	25	15.25	21	13.25
90	31.5	18.5	26.25	16	22.25	14
96	33	19.25	27.5	16.5	22.25	14
102	35.5	20.5	29	17.25	23.75	14.5
108	36.75	21.25	30.25	18	25	15.25
114	38.25	21.75	31.5	18.5	26.25	16
120	39.5	22.5	33	19.25	26.25	16
126	42.25	23.75	34.25	19.75	27.5	16.5
132	43.5	24.5	35.5	20.5	29	17.25
138	44.75	25.25	36.75	21.25	30.25	18
144	46	25.75	38.25	21.75	30.25	18
150	48.75	27	39.5	22.5	31.5	18.5
156	50	27.75	40.75	23.25	33	19.25
162	51.5	28.5	42.25	23.75	34.25	19.75
168	52.75	29	43.5	24.5	34.25	19.75
174	55.25	30.5	44.75	25.25	35.5	20.5
180	56.75	31	46	25.75	36.75	21.25
186	58	31.75	47.5	26.5	38.25	21.75
192	59.25	32.5	48.75	27	38.25	21.75
198	62	33.75	50	27.75	39.5	22.5
204	63.25	34.5	51.5	28.5	40.75	23.25
210	64.5	35	52.75	29	42.25	23.75
216	66	35.75	54	29.75	42.25	23.75
222	68.5	37	55.25	30.5	43.5	24.5
228	69.75	37.75	56.75	31	44.75	25.25
234	71.25	38.25	58	31.75	46	25.75
240	72.5	39	59.25	32.5	46	25.75

Note: Stack size is estimated. Type of fabric used could alter these measurements.

Grommet Style Specification



Grommet Style Specification	
Fullness Options	x 1.5" and x 2
Liner Options (White Color Only Supplied by SBM)	Unlined, Privacy, Blackout
Stacking	One Way Right, One Way Left, Split
Grommet Size	1 3/4" Inside Diameter
Side Hems	1.5" Blind Stitched
Bottom Hem Options	4" Blinds Stitched (Sheer or Lined) Euro Hem (Sheer Only)
Grommet Colors	Satin Nickel, Matte Black, Brass
Minimum Width*	25"
Maximum Width*	300"
Minimum Height*	60"
Maximum height*	216"
Weights	Sheer – lead string inside of hems for Euro Style Sheer, Non-sheer – square weights in corners for 4" Bottom Hem Style
Grommet Placement	1.5" From Top
Seam Exposure	Ripplefold draperies made in multiple widths may have visible seams. Workroom may railroad fabric to avoid seams where possible.
Grommet Distance	Varies based on fullness 6"-8"

Grommet Colors



Satin Nickel



Matte Black



Brass



4" Bottom Hem (Sheer and Lined)



Euro Hem (Sheer Only)



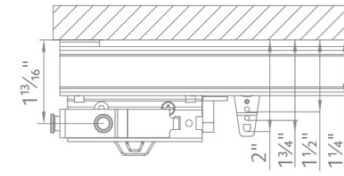
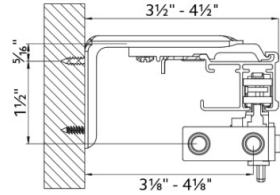
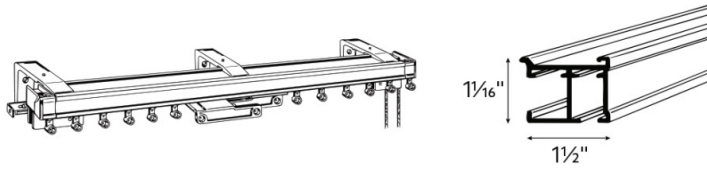
Blind Stitched Side Hem

Grommet Style draperies are soft folding panels in which a decorative pole passes through grommets at the top of the panel.

* inquire for out of spec possibilities

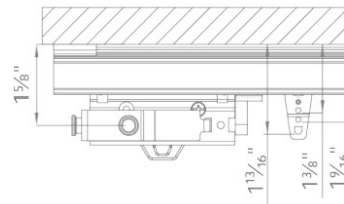
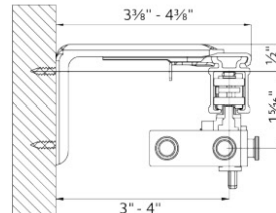
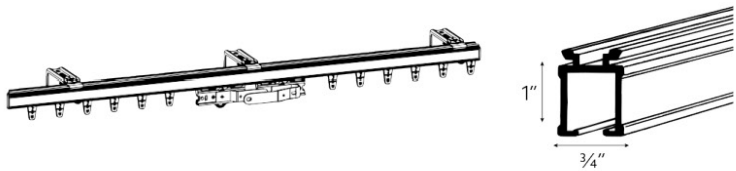
Kirsch Architrac Specification

Architrac 94001 (Cord Draw Manual, or Motorized with Rollease Acmeda Versa Drapery Motor)



Assembled set includes all necessary components
 White Color Only
 Heavy duty ball bearing pulleys
 Heavy duty, wheeled (ripplefold) or ball bearing (pleated) carriers
 Wall or ceiling mount
 Multiple Draw options (One way, or split)

Architrac 94003 (Baton Draw)



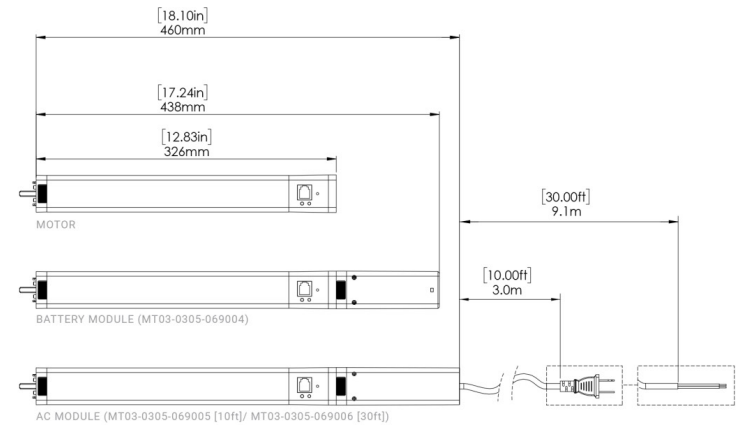
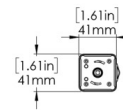
Assembled set includes all necessary components
 White Color Only
 Wall or ceiling mount
 Multiple Draw options (One way, or split)



PRODUCT SPECIFICATIONS

Part #: MT01-2101-069002 Automate Versa Drapery Motor

Voltage	14.4 - 18V DC	Limit Switch Type	Electronic
Torque	1.2Nm	Current	1.3A
Max Run Time	12 min	Battery Size/Type	2600mAh External Battery Pack
Speed	80rpm (adjustable to 100 or 120)	Temp Working Range	32°F to 140°F (0°C to 60°C)
Radio Frequency	433.92	Insulation Class	Class A
RF Modulation	FSK	Sound Level	~44 dB
IP Rating	IP40	Power	20W



Controllers



Power Options



Charging Options

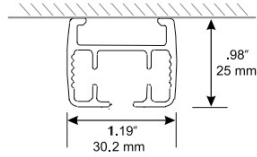


MT01-2101-069002_Versa Drapery Motor_06042020



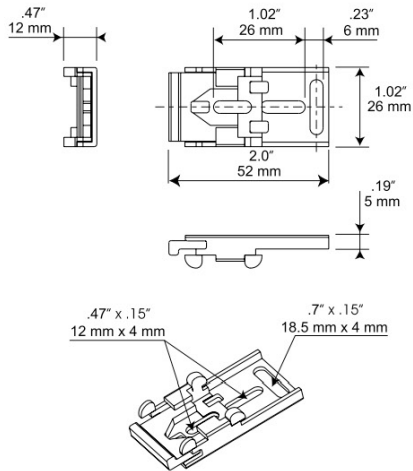
Somfy Glydea Track Specification

TRACK PROFILE

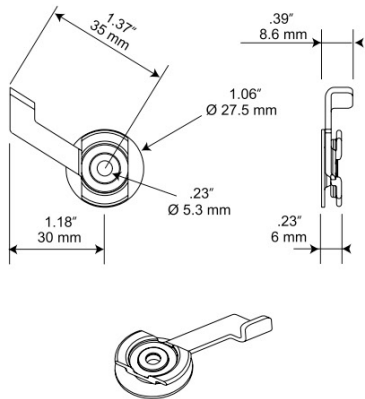


CEILING BRACKET DIMENSIONS

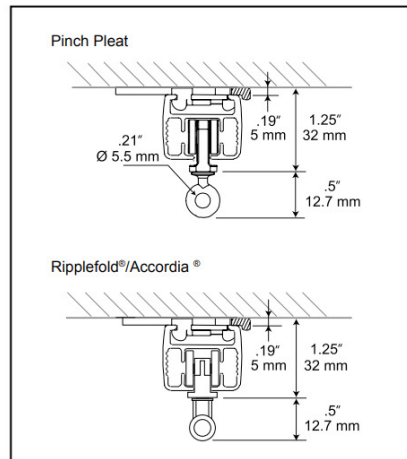
One Touch Ceiling Bracket - #1780907



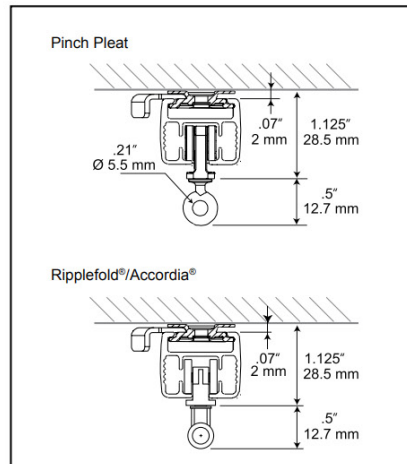
Swivel Ceiling Bracket - #1780906 (recommended for curved tracks)



Carriers

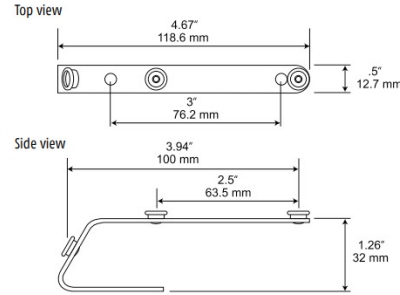


Carriers

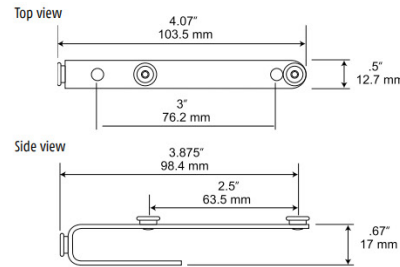


CARRIER ARM DIMENSIONS

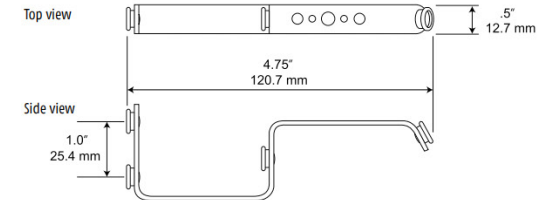
Overlap Arm - #1782320



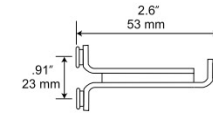
Straight Arm - #1782321



One Way Butt Arm - #1782319

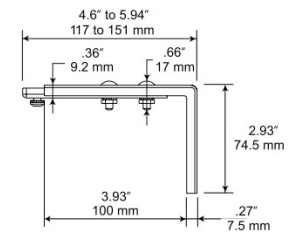
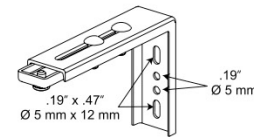


Butt Master Arm Center Opening - #1780953

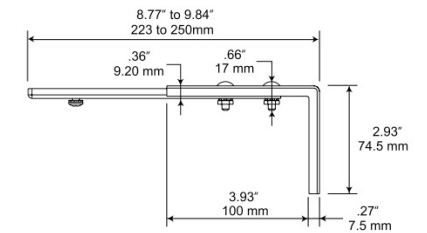
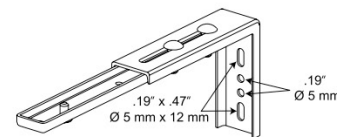


WALL BRACKET DIMENSIONS

Adjustable Wall Mount Bracket - #1780909



Double Adjustable Wall Mount Bracket - #1780910



D-0036

Somfy Glydea Track Specification

TRACK SIZES	RIPPLEFOLD® - inches carrier count - ()									PINCH PLEAT - inches carrier count - ()		
	ONE WAY 80%	ONE WAY 100%	ONE WAY 120%	CENTER OPENING 80%		CENTER OPENING 100%		CENTER OPENING 120%		ONE WAY	CENTER OPENING	
	Overlap Arm	Overlap Arm	Overlap Arm	Overlap Arm	Straight Arm	Overlap Arm	Straight Arm	Overlap Arm	Straight Arm	Overlap Arm	Overlap Arm	Straight Arm
Up to 4 ft.	19.25 (20)	21.25 (24)	23.25 (28)	14 (10)	13.75 (10)	15 (12)	14.75 (12)	16.25 (14)	16 (14)	15.25 (12)	11.75 (6)	11.5 (6)
5 ft.	21.75 (25)	24.25 (30)	26.75 (35)	15.5 (13)	15.25 (13)	16.5 (15)	16.25 (15)	18.25 (18)	18 (18)	16.75 (15)	12.75 (8)	12.5 (8)
6 ft.	24.25 (30)	27.25 (36)	30.25 (42)	16.5 (15)	16.25 (15)	18 (18)	17.75 (18)	19.75 (21)	19.5 (21)	18.25 (18)	13.25 (9)	13 (9)
7 ft.	26.75 (35)	30.25 (42)	33.75 (49)	18 (18)	17.75 (18)	19.5 (21)	19.25 (21)	21.75 (25)	21.5 (25)	19.75 (21)	14.25 (11)	14 (11)
8 ft.	29.25 (40)	33.25 (48)	37.25 (56)	19 (20)	18.75 (20)	21 (24)	20.75 (24)	23.25 (28)	23 (28)	21.25 (24)	14.75 (12)	14.5 (12)
9 ft.	31.75 (45)	36.25 (54)	40.75 (63)	20.5 (23)	20.25 (23)	22.5 (26)	22.25 (26)	25.25 (32)	25 (32)	22.75 (27)	15.75 (14)	15.5 (14)
10 ft.	34.25 (50)	39.25 (60)	44.25 (70)	21.5 (25)	21.25 (25)	24 (30)	23.75 (30)	26.75 (35)	26.5 (35)	24.25 (30)	16.25 (15)	16 (15)
11 ft.	36.75 (55)	42.25 (66)	47.75 (77)	23 (28)	22.75 (28)	25.5 (33)	25.25 (33)	28.75 (39)	28.5 (39)	25.75 (33)	17.25 (17)	17 (17)
12 ft.	39.25 (60)	45.25 (72)	51.25 (84)	24 (30)	23.75 (30)	27 (36)	26.75 (36)	30.25 (42)	30 (42)	27.25 (36)	17.75 (18)	17.5 (18)
13 ft.	41.75 (65)	48.25 (78)	54.75 (91)	25.5 (33)	25.25 (33)	28.5 (39)	28.25 (39)	32.25 (46)	32 (46)	28.75 (39)	18.75 (20)	18.5 (20)
14 ft.	44.25 (70)	51.25 (84)	58.25 (98)	26.5 (35)	26.25 (35)	30 (42)	29.75 (42)	33.75 (49)	33.5 (49)	30.25 (42)	19.25 (21)	19 (21)
15 ft.	46.75 (75)	54.25 (90)	61.75 (105)	28 (38)	27.75 (38)	31.5 (45)	31.25 (45)	35.75 (53)	35.5 (53)	31.75 (45)	20.25 (23)	20 (23)
16 ft.	49.25 (80)	57.25 (96)	65.25 (112)	29 (40)	28.75 (40)	33 (48)	32.75 (48)	37.25 (56)	37 (56)	33.25 (48)	20.75 (24)	20.5 (24)
17 ft.	51.75 (85)	60.25 (102)	68.75 (119)	30.5 (43)	30.25 (43)	34.5 (51)	34.25 (51)	39.25 (60)	39 (60)	34.75 (51)	21.75 (26)	21.5 (26)
18 ft.	54.25 (90)	63.25 (108)	72.25 (126)	31.5 (45)	31.25 (45)	36 (54)	35.75 (54)	40.75 (63)	40.5 (63)	36.25 (54)	22.25 (27)	22 (27)
19 ft.	56.75 (95)	66.25 (114)	75.75 (133)	33 (48)	32.75 (48)	37.5 (57)	37.25 (57)	42.75 (67)	42.5 (67)	37.75 (57)	23.25 (29)	23 (29)
20 ft.	59.25 (100)	69.25 (120)	79.25 (140)	34 (50)	33.75 (50)	39 (60)	38.75 (60)	44.25 (70)	44 (70)	39.25 (60)	23.75 (30)	23.5 (30)
21 ft.	61.75 (105)	72.25 (126)	82.75 (147)	35.5 (53)	35.25 (53)	40.5 (63)	40.25 (63)	46.25 (74)	46 (74)	40.75 (63)	24.75 (32)	24.5 (32)
22 ft.	64.25 (110)	75.25 (132)	86.25 (154)	36.5 (55)	36.25 (55)	42 (66)	41.75 (66)	47.75 (77)	47.5 (77)	42.25 (66)	25.25 (33)	25 (33)
23 ft.	66.75 (115)	78.25 (138)	89.75 (161)	38 (58)	37.75 (58)	43.5 (69)	43.25 (69)	49.75 (81)	49.5 (81)	43.75 (69)	26.25 (35)	26 (35)
24 ft.	69.25 (120)	81.25 (144)	93.25 (168)	39 (60)	38.75 (60)	45 (72)	44.75 (72)	51.25 (84)	52 (84)	45.25 (72)	26.75 (36)	26.5 (36)
25 ft.	71.75 (125)	84.25 (150)	96.75 (175)	40.5 (63)	40.25 (63)	46.5 (75)	46.25 (75)	53.25 (88)	53 (88)	46.75 (75)	27.75 (38)	27.5 (38)
26 ft.	74.25 (130)	87.25 (156)	100.25 (182)	41.5 (65)	41.25 (65)	48 (78)	47.75 (78)	54.75 (91)	54.5 (91)	48.25 (78)	28.25 (39)	28 (39)
27 ft.	76.75 (135)	90.25 (162)	103.75 (189)	43 (68)	42.75 (68)	49.5 (81)	49.25 (81)	56.75 (95)	56.5 (95)	49.75 (81)	29.25 (41)	29 (41)
28 ft.	79.25 (140)	93.25 (168)	107.25 (196)	44 (70)	43.75 (70)	51 (84)	50.75 (84)	58.25 (98)	58 (98)	51.25 (84)	29.75 (42)	29.5 (42)
29 ft.	81.75 (145)	96.25 (174)	110.75 (203)	45.5 (73)	45.25 (73)	52.5 (87)	52.25 (87)	60.25 (102)	60 (102)	52.75 (87)	30.75 (44)	30.5 (44)
30 ft.	84.25 (150)	99.25 (180)	114.25 (210)	46.5 (75)	46.25 (75)	54 (90)	53.75 (90)	61.75 (105)	61.5 (105)	54.25 (90)	31.25 (45)	31 (45)
31 ft.	86.75 (155)	102.3 (186)	117.75 (217)	48 (78)	47.75 (78)	55.5 (93)	55.25 (93)	63.75 (108)	63.5 (108)	55.75 (93)	32.25 (47)	32 (47)
32 ft.	89.25 (160)	105.3 (192)	121.25 (224)	49 (80)	48.75 (80)	57 (96)	56.75 (96)	65.25 (112)	65 (112)	57.25 (96)	32.75 (48)	32.5 (48)
33 ft.	91.75 (165)	108.3 (198)	124.75 (231)	50.5 (83)	50.25 (83)	58.5 (99)	58.25 (99)	67.25 (116)	67 (116)	58.75 (99)	33.75 (50)	33.5 (50)
34 ft.	94.25 (170)	111.3 (204)	128.25 (238)	51.5 (85)	51.25 (85)	60 (102)	59.75 (102)	68.75 (118)	68.5 (118)	60.25 (102)	34.25 (51)	34 (51)
35 ft.	96.75 (175)	114.3 (210)	131.75 (245)	53 (86)	52.75 (86)	61.5 (105)	61.25 (105)	70.75 (123)	70.5 (123)	61.75 (105)	35.25 (53)	35 (53)
36 ft.	99.25 (180)	117.3 (216)	135.25 (252)	54 (90)	53.75 (90)	63 (108)	62.75 (108)	72.25 (126)	72 (126)	63.25 (108)	35.75 (54)	35.5 (54)

Soft Roman Shade Specification



Classic Flat Style
 This traditional roman shades folds neatly when raised and lies flat when lowered. These shades work well with any fabrics and are highly recommended for patterned fabrics.



Knife/Back Pleat Style
 Doweled pockets on the back of the shade form decorative seams on the front of the shade. These shades work best with solid fabrics and patterned fabrics.



Ribbed/Front Pleat Style
 This style is a reversed Knife pleat with the pockets to the front of the shade, accenting each pleat. These shades work best with solid or textured fabrics.



Chainhold

Roman Shade Specification	
Liner Options (White Color Only Supplied by SBM)	Unlined, Privacy, Blackout
Pleat Style	Ribbed/Front Pleat Knife/Back Pleat Classic/Flat
Side Hems	1.5" Blind Stitched
Bottom Hem Options	1.5" Blinds Stitched (Sheer or Lined)
Minimum Width*	24"
Maximum Width*	156"
Minimum Height*	36"
Maximum height*	156"
Seam Exposure	Ripplefold draperies made in multiple widths may have visible seams. Workroom may railroad fabric to avoid seams where possible.
Pleat Distance	6" Standard
Alignment	Top, Bottom. Standard
Operation	Metal Chain Standard The shade waterfalls off the front of the headrail, the controls are hidden behind the shade or Motorized
Motorization Option	Rollease Acmeda



Back Safety Tape

Our roman shades feature a slim profile without a valance top, and attach to the rail with a velcro. The Back of the shade has a safety compliant tape.

Chain Control shades are supplied with a chain hold tension device.

All Classic, Knife Pleat and Ribbed Pleat Roman shades are constructed with support rods that are hidden between the face fabric and the lining at no additional charge. Support rods provide stability and crisp, neat folds.

All Soft Roman Shades are finished at the bottom with a neatly sealed bottom hem. 1.5" tunnel with internal metal hembar.

Measuring Notice: Workroom will deduct 1/8" for inside mount

Due to fabric content, some fabrics are not suitable for fusing. One yard of fabric may be requested for testing. For the best results please choose dimensionally stable drapery fabrics.

Plaids, Silks, 100% synthetic, tapestry, very heavy fabrics, loose weave linens, sheers and fabrics with raised patterns are not suitable for fusion. Because of the nature of fabric, striped patterns may not be perfectly straight. Rare or irreplaceable fabrics should not be sent in for fusing. All fabrics are subject to approval.

C.O.M Yardage
 To determine the amount of yardage required for a C.O.M. shade call customer service with your shade style.

Soft Roman Shade Specification



Top Alignment

Bottom Alignment

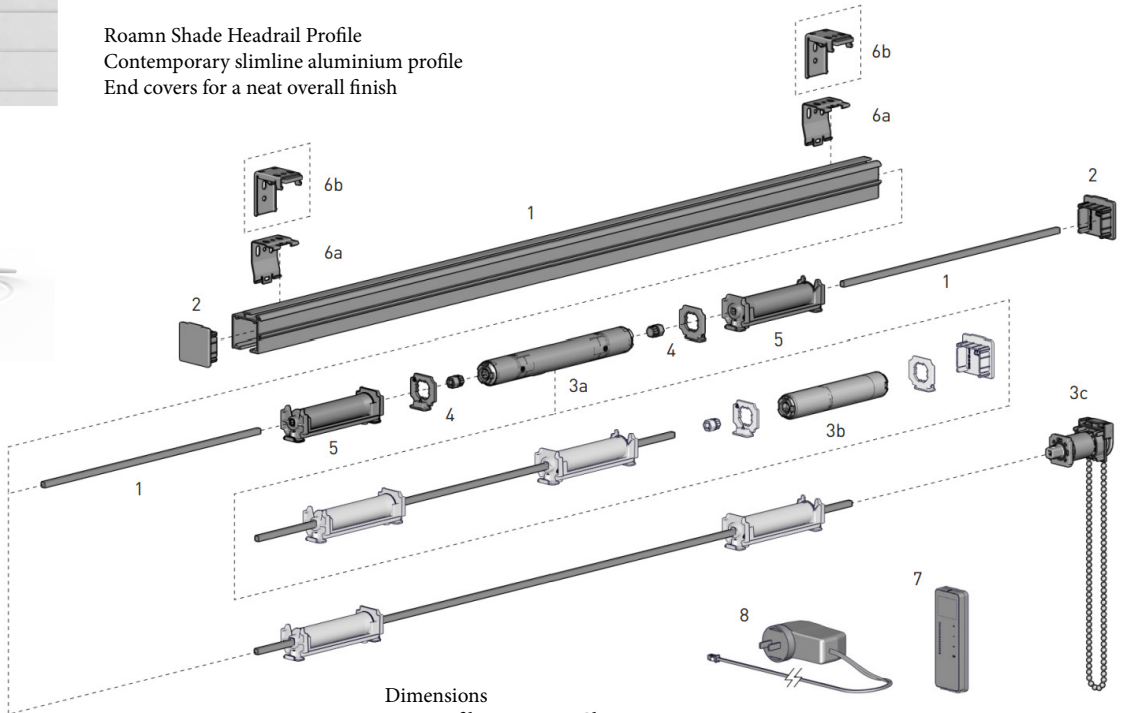
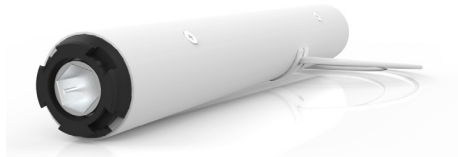
Knife Pleat and Ribbed Pleat shades may have noticeably different top or bottom fold sizes when multiple shades with different lengths are in the same room.

The standard construction aligns the pattern and folds starting at the BOTTOM of the shade. Matching starting from the TOP is a no charge option but must be requested.

Top alignment is recommended for side by side window openings of different heights

Roamn Shade Headrail Profile
 Contemporary slimline aluminium profile
 End covers for a neat overall finish

Motorization / Rollease Acmeda CL 0.6 Cordlift motor
 Cord lift technology. Low voltage. 3 speed settings.

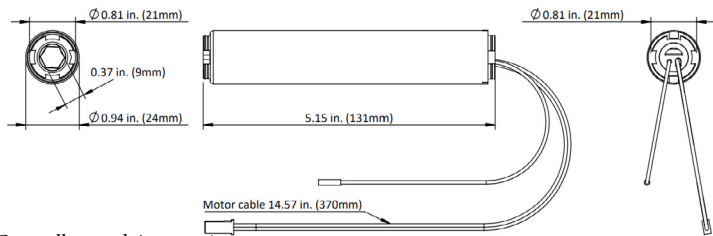


PRODUCT SPECIFICATIONS

Part #: MTDCRF-CL-0.6-50 Cord Lift 0.6 Nm Motor

Voltage	12V DC	Limit Switch Type	Electronic
Torque	0.6 Nm	Current	1.0 A
Max Run Time	12 min	Battery Size/Type	External Battery Pack
Speed	50 RPM (Adjustable to 42 or 34)	Temp Working Range	32°F to 140°F (0°C to 60°C)
Radio Frequency	433.92 MHz	Insulation Class	1 CL B
RF Modulation	FSK	Sound Level	48dB
IP Rating	IP20	Power	12W

DIMENSIONS



Controllers and Accessories



Pulse 2 Hub / App



Push 1, 5, 15 Channel



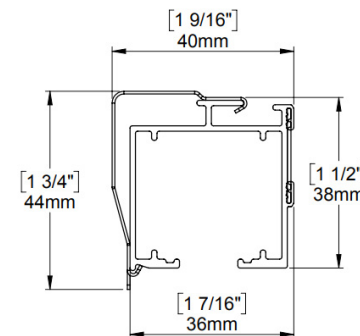
Power Supply



Battery Pack



Dimensions Low Profile Mounting Clip



- 1 SS38 Head Rail [incl. crimp tape + rod]
- 2 SS38 Head Rail End Cap
- 3a Cord Lift Motor
- 3b Cord Lift Motor
- 3c SS38 Drive Unit
- 4 Cord Lift Motor Adapter Kit
- 5 SS38 Spool cone
- 6a SS38 Mounting Clip/Bracket
- 7 Remotes & Switches
- 8 Power Solutions & Extension Cables

