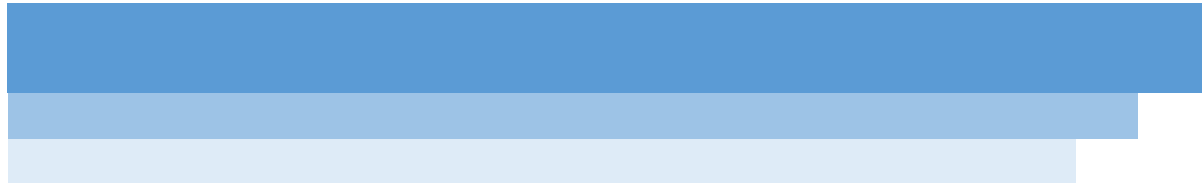


# EASY LINK

# INSTALLATION MANUAL



February 2017



# CONTENTS

February 2016

This manual is to be read in conjunction with the Product Specifications & Assembly manual

SECTION NO.	DESCRIPTION	PAGE NO.
<b>SECTION 1</b>	<b>– TOOLS &amp; ADDITIONAL ITEMS REQUIRED</b>	<b>1.1</b>
<b>SECTION 2</b>	<b>– INSTALLATION</b>	<b>2.3</b>
	PART A –BRACKET INSTALLATION	2.3
	PART B – SHADE INSTALLATION	2.4
	PART C – INSTALLED SHADE	2.9

## DISCLAIMER

### INTRODUCTION

This Installation manual has been produced by Rollease Acmeda to supply the necessary information for safe and correct installation of this system.

### INSTALLERS RESPONSIBILITY

Before installing, please read & ensure you understand the safety information and installation instructions as defined in this installation manual.

- If you do not fully understand these instructions, contact Rollease Acmeda for clarification before installing.
- The Installer is responsible to ensure that all installation personnel have been adequately trained on the safe & correct installation and operation.
- The Installer is responsible to ensure that supporting structures are sound and can adequately support the load.
- The fasteners provided are intended for fastener to timber. The Installer is responsible for selecting fasteners that are suitable for other substrates

### SAFETY INFORMATION

- Ensure that electrical works are done only by a LICENSED ELECTRICIAN.
- DO NOT modify any of the components of this system.

### PERSONNEL REQUIREMENTS

Only suitably trained/qualified personnel should undertake installation.

### DISCLAIMER

Rollease Acmeda has used reasonable care in preparing the information included in this document, but makes no representations or warranties as to the completeness or accuracy of the information. Information is supplied upon the condition that the persons receiving the information will make their own determination as to its suitability for their purposes prior to use. Rollease Acmeda assumes no liability whatsoever for any damages incurred by you resulting from errors in or omissions from the information included herein. Rollease Acmeda reserves the right to make changes without further notice to any products to improve reliability, function or design.

### COPYRIGHT

COPYRIGHT © ROLLEASE ACMEDA 2016

All rights reserved. No part of this document may be reproduced or utilized in any means, by any means, electronic or mechanical including photocopying, recordings, or by any information storage or retrieval system, without the express permission from Rollease Acmeda.



## SECTION 1 – TOOLS & ADDITIONAL ITEMS REQUIRED

### TOOLS REQUIRED

- Drill
- Drill Bits
- Screw Driver – Philips Head
- Measuring Tape
- Pencil

### ADDITIONAL ITEMS REQUIRED (NOT SUPPLIED)

To install EASY-LINK, the following non-stocked items are required:

- Fastener Screws – Installer to use appropriate fasteners/fasteners to suit application

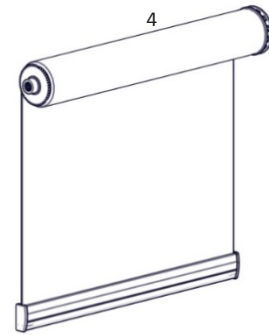
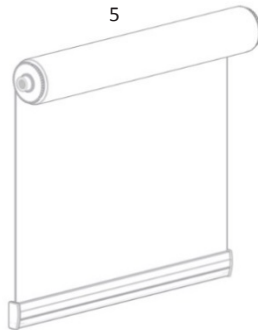
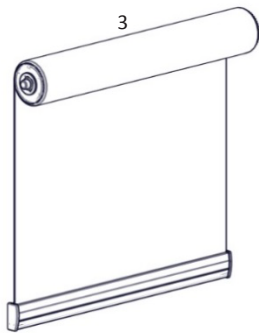


## SHADE ITEMS REQUIRED

### EASY-LINK

Check you have all Shade items;

1. Easy-Lock LX Bracket
2. Easy-Link LX Bearing Bracket
3. Shade "A" (Idler Side)
4. Shade "B" (Control Side)
5. Shade "X" (Linking Shade)  
(OPTIONAL: THERE CAN ALSO BE MULTIPLE OF SHADE "X")



[www.shadesbymatiss.com](http://www.shadesbymatiss.com) | T. 800 493 2040 | email: [info@shadesbymatiss.com](mailto:info@shadesbymatiss.com)

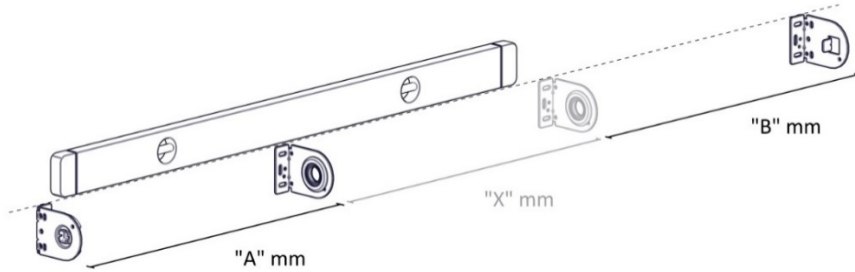


## SECTION 2 – INSTALLATION

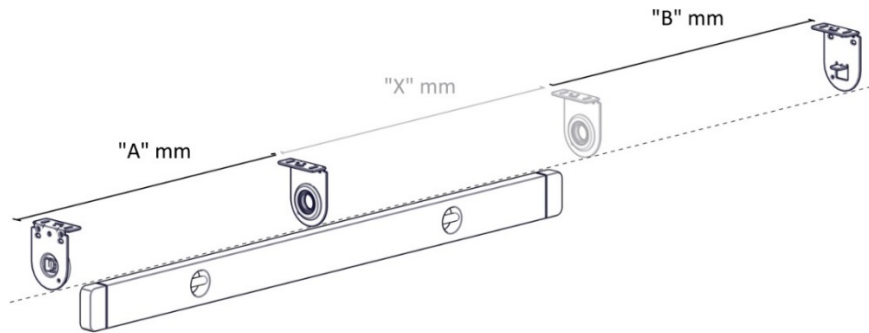
### PART A – BRACKET INSTALLATION

#### STEP 1 – PREPARE BRACKETS ENSURING LEVEL AND CORRECT DISTANCES APART

##### EASY-LINK – Wall Fix

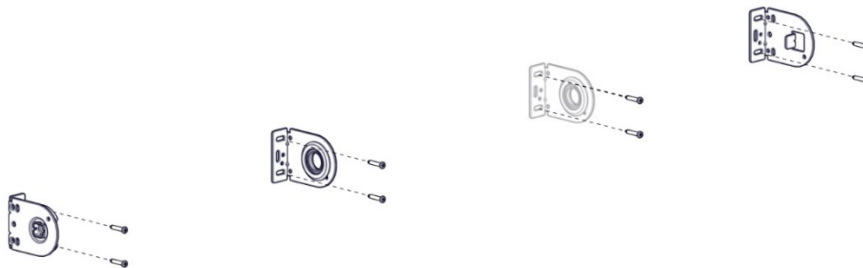


##### EASY-LINK – Ceiling Fix

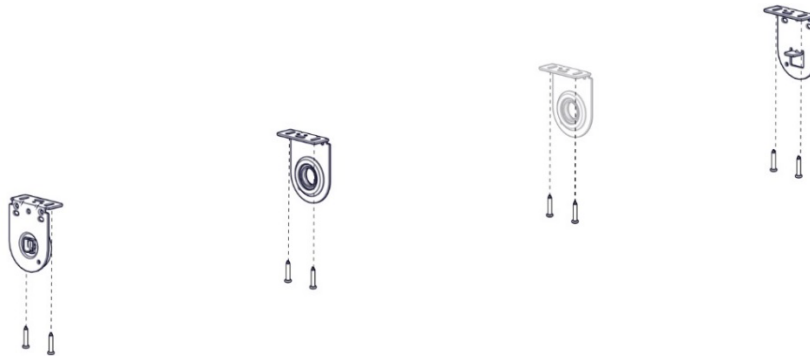


#### STEP 2 – INSTALL BRACKET TO WALL/CEILING USING APPROPRIATE FASTENERS TO SUIT APPLICATION

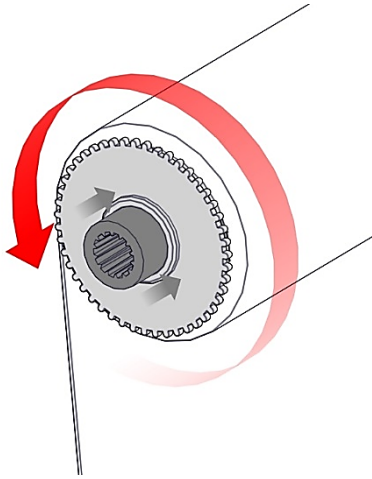
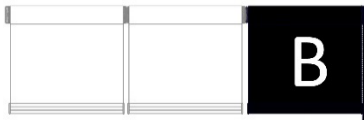
##### EASY-LINK – Wall Fix



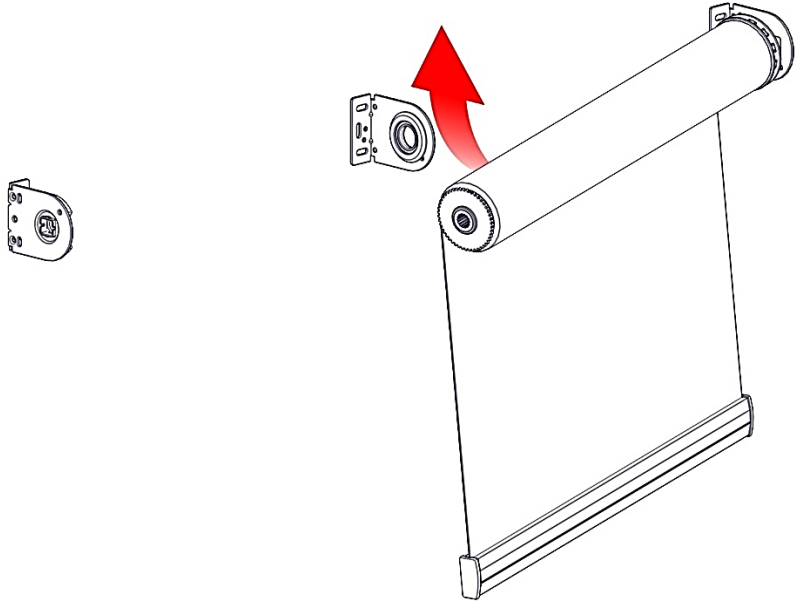
##### EASY-LINK – Ceiling Fix



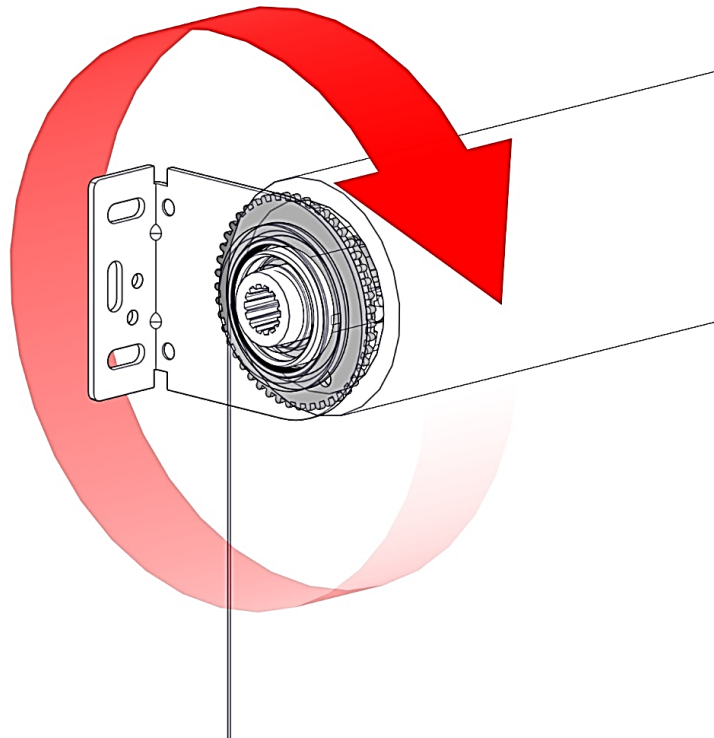
STEP 1 – INSTALL SHADE “B” FIRST (CONTROL SHADE)



NOTE: Retract female Easy-Link Drive by rotating counter-clockwise



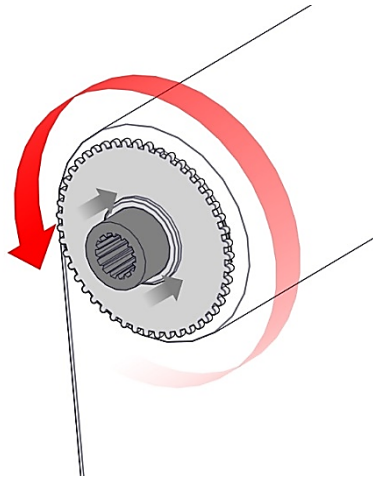
NOTE: Insert Control end of Shade in first then swing in female Easy-Link end



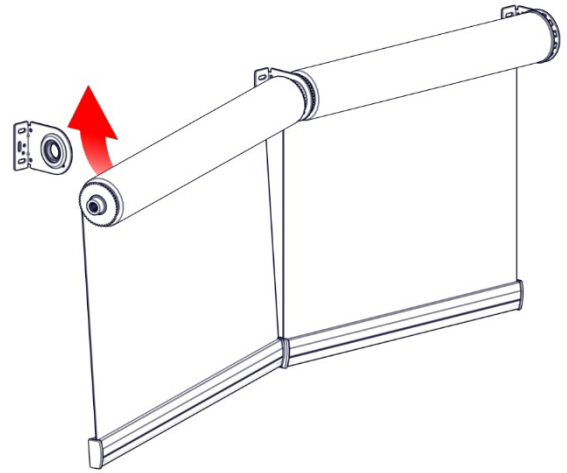
NOTE: Extend the female Easy-Link by rotating clockwise, Ensure pin is fully extended through Easy-Link Bracket



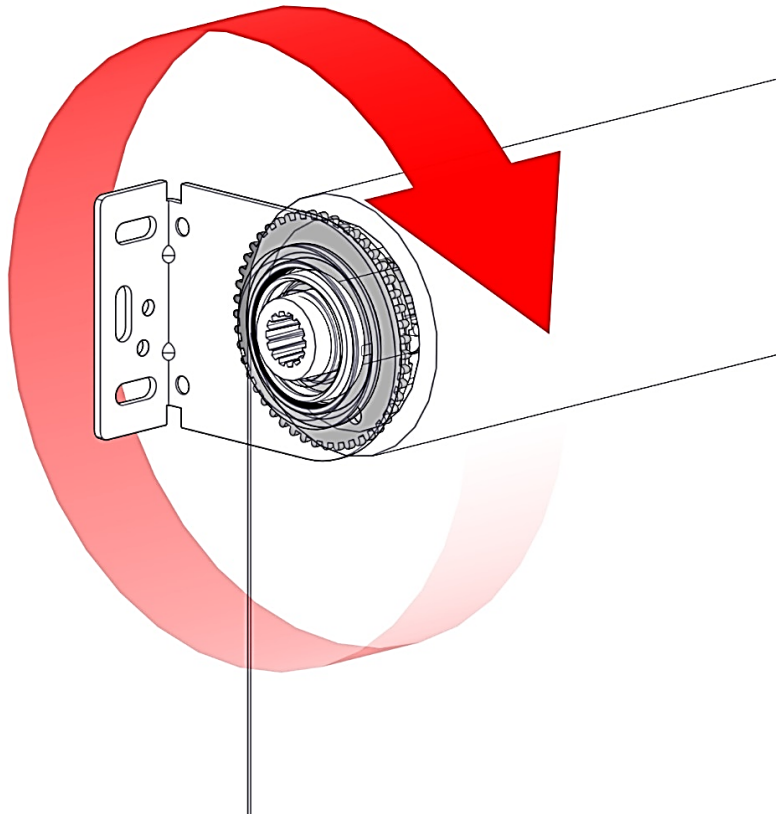
**STEP 2 – INSTALL SHADE “X<sub>1</sub>” (WHEN INSTALLING 3 SHADES)**



NOTE: Retract female Easy-Link Drive by rotating counter-clockwise



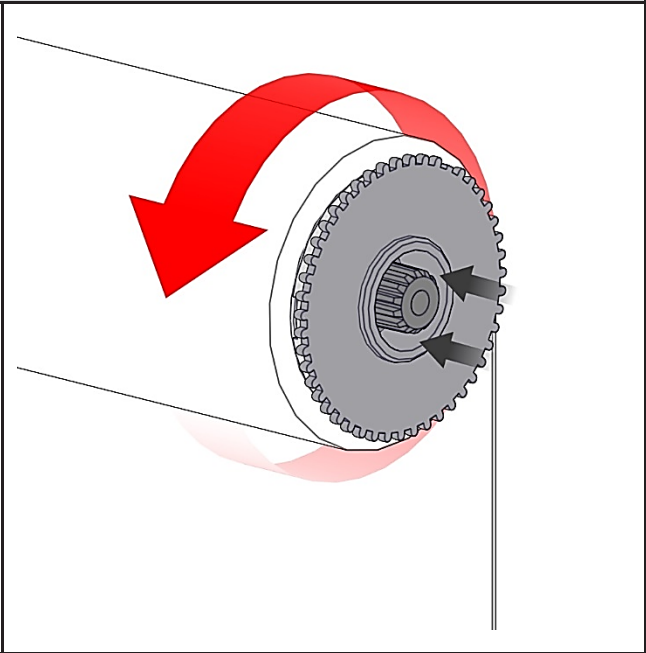
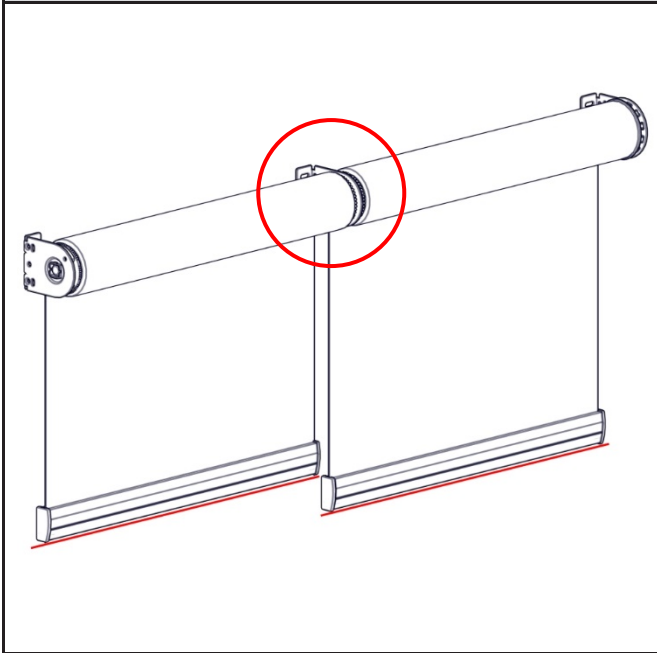
NOTE: Ensure weight bars are at even heights when installing Shade “A”  
Insert Easy-Link Drive end of Shade in first then swing in Idler End



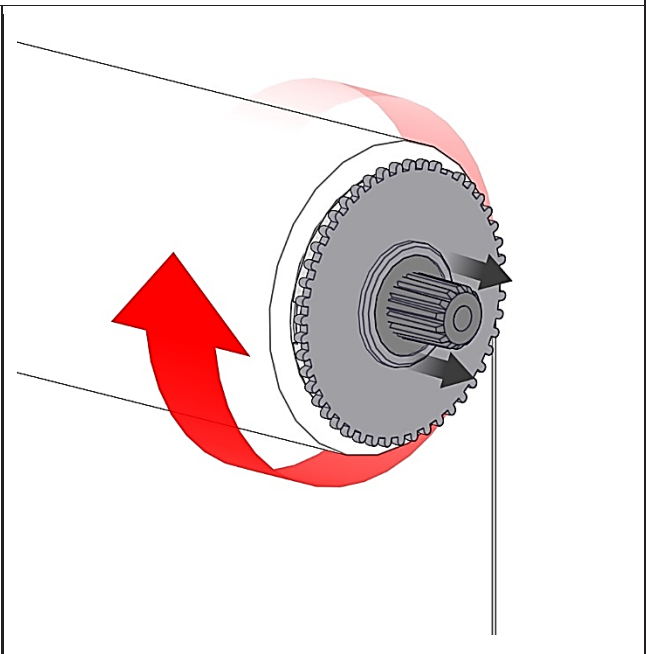
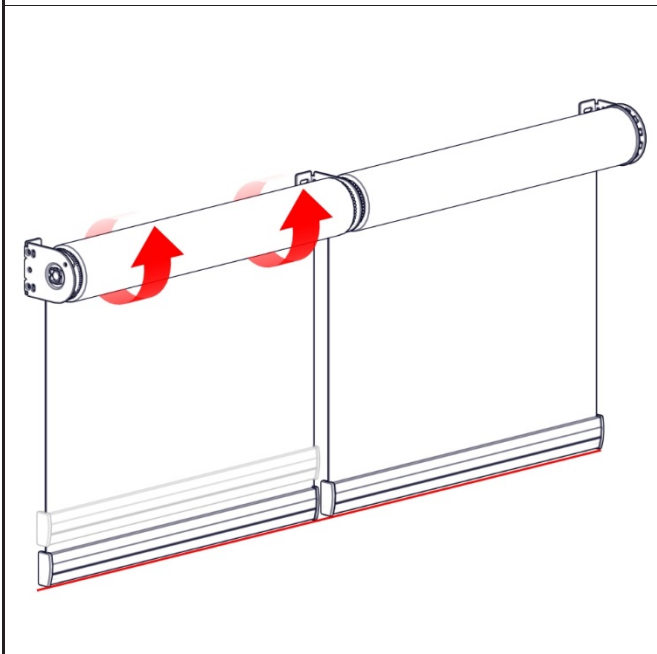
NOTE: Extend the female Easy-Link by rotating clockwise, Ensure pin is fully extended through Easy-Link Bracket



**STEP 3 – LEVEL SHADES AS THEY ARE INSTALLED (IF WEIGHTBARS ARE NOT HANGING LEVEL)**



NOTE: Rotate Male Easy-Link Wheel counter clockwise to retract the pin connection



NOTE: Rotate fabric/tube until weight bars are in line

**STEP 4 – INSTALL NEXT SHADE “X” AND LEVEL (IF INSTALLING 3 OR MORE LINKED SHADES)**

SEE SECTION 2, PART B, STEPS 2-3, FOR DETAILS

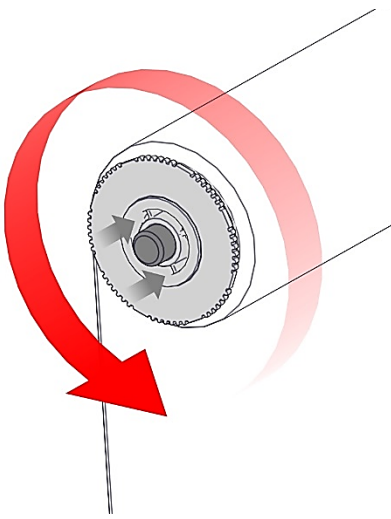
PROCESS: INSTALL SHADE X<sub>2</sub> – THEN LEVEL  
INSTALL SHADE X<sub>3</sub> – THEN LEVEL  
INSTALL SHADE X<sub>4</sub> – THEN LEVEL  
(CONTINUE AS REQUIRED)



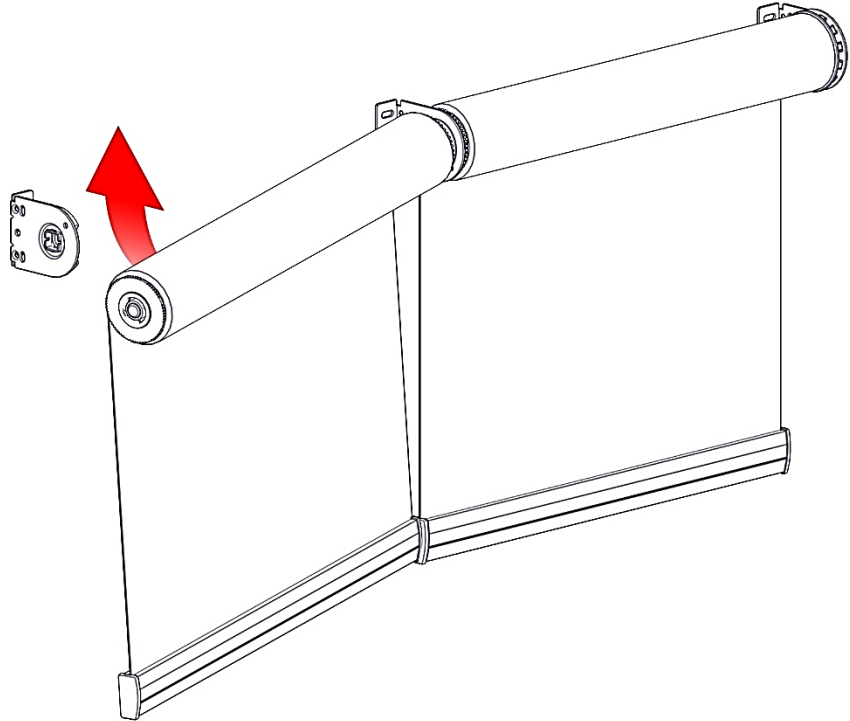


STEP 5 – INSTALL SHADE “A” (IDLER SHADE)

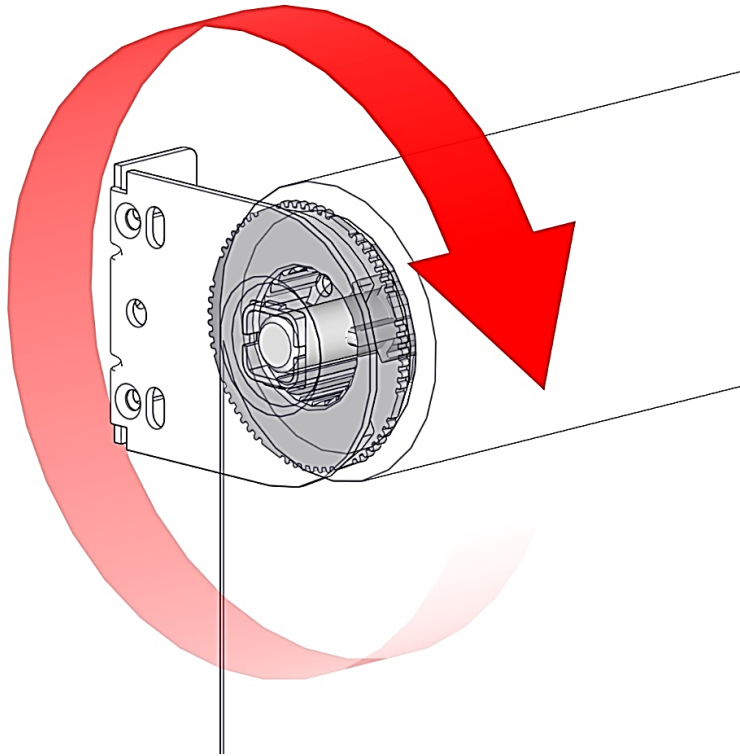
A



NOTE: Retract Idler Pin by rotating counter-clockwise



NOTE: Ensure weight bars are at even heights when installing Shade “A”  
Insert Easy-Link Drive end of Shade in first then swing in Idler End



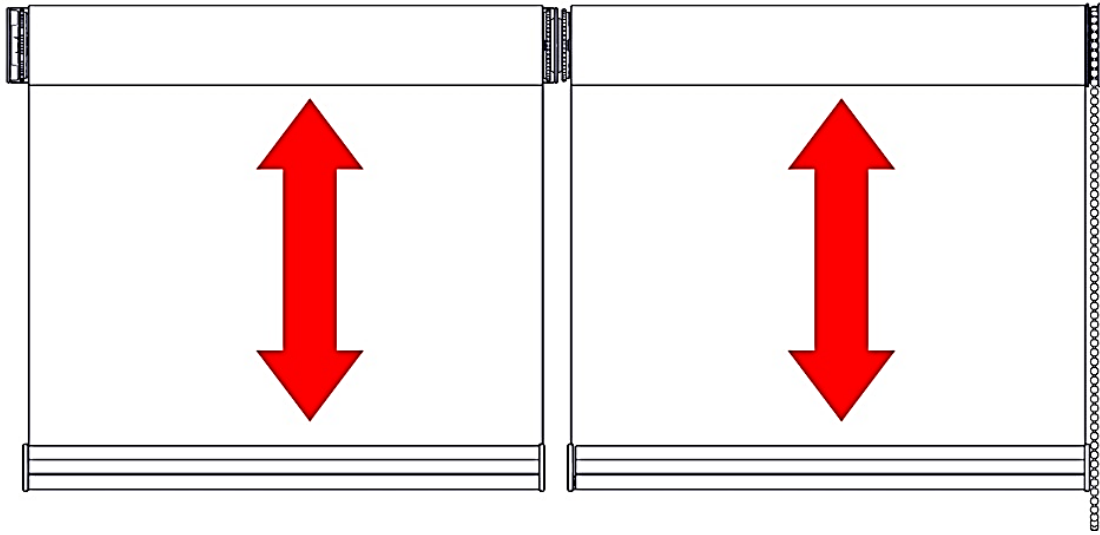
NOTE: Extend the Idler Pin by rotating clockwise, Ensure pin is fully extended through Bracket



STEP 6 – LEVEL SHADE “A” (IF WEIGHTBARS ARE NOT HANGING LEVEL)

SEE SECTION 2, PART B, STEP 3, FOR DETAILS

STEP 7 –TEST SHADE TO ENSURE IT IS OPERATING CORRECTLY, LEVEL AND IN SYNC



PART C – INSTALLED SHADE

EASY-LINK

